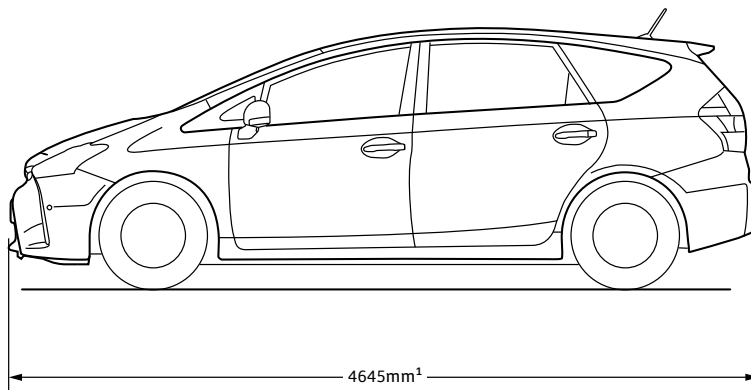
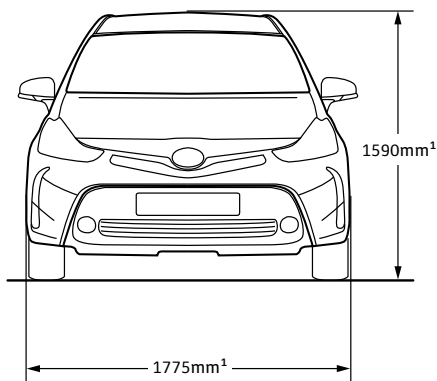


TOYOTA

Prius v



| MECHANICAL SPECIFICATIONS | | Prius v | Prius v i-Tech® |
|---------------------------------|---|--|---|
| Engine | Engine description | 1.8L Atkinson Cycle 4-cylinder petrol engine | |
| | Maximum power/torque ² | 73kW @ 5200rpm/142Nm @ 4000rpm | |
| | Combined system output ² | 100kW | |
| Fuel Consumption | Fuel economy ³ – combined cycle/emissions – combined CO ₂ | 4.4 L/100km / 101g/km | |
| Transmission | Type | Continuously Variable Transmission (CVT) | |
| Steering and Brakes | Electric Power Steering (EPS) with tilt and reach adjustable steering wheel | • | • |
| | Regenerative braking system | • | • |
| Weights (Approximate) | Vehicle kerb weight ¹ (kg) | 1505 - 1570 | 1505 - 1570 |
| Seating | Capacity | 7 | 7 |
| Fuel Tank | Capacity (L) | 45 | 45 |
| Wheels | Size and type | 16" alloy with full wheel cover (Plastic) | 16" alloy with full wheel cover (Plastic) |
| Exterior | Auto-on/off halogen headlamps | • | |
| | Auto-on/off Bi-LED headlamps with automatic high beam | | • |
| | Front and rear fog lamps | • | • |
| | Rear privacy glass and rear side sun shades | • | • |
| Interior | Three rows of seating with six seating configurations | • | • |
| | Panoramic roof (fixed) with power shade | | • |
| | Heated front seats | | • |
| | Black fabric and synthetic leather seats | • | |
| | Synthetic leather seats | | • |
| Instruments and Controls | Smart entry and start system | • | • |
| | Automatic climate control air conditioning | • | • |
| | Active Cruise Control | • | • |
| | Head-Up Display (HUD)/Touch Tracer display | • | • |
| | Intelligent Park Assist (IPA) | | • |
| | Auto-dimming rear view mirror | | • |

| MECHANICAL SPECIFICATIONS | | Prius v | Prius v i-Tech® |
|---------------------------|--|---------|-----------------|
| Multimedia | 6.1" colour touchscreen display, CD player, AM/FM tuner, AUX + USB ⁴ input with iPod, ⁵ Bluetooth [®] hands-free connectivity and Voice Recognition | • | • |
| | Steering wheel mounted audio controls | • | • |
| | Speakers | 8 | 8 |
| | JBL ^{®5} premium sound system, digital radio (DAB+), ⁶ satellite navigation ⁷ with SUNA traffic channel ⁸ and Toyota Link ⁹ | • | • |
| Safety | Anti-lock Braking System (ABS) with Electronic Brake-force Distribution (EBD) and Brake Assist (BA), Vehicle Stability Control (VSC) with Traction Control (TRC) and Hill-start Assist Control (HAC) | • | • |
| | Reversing camera | • | • |
| | Toyota Safety Sense, ¹⁰ including Pre-Collision Safety system (PCS) with pedestrian detection, Lane Departure Alert (LDA), Automatic High Beam (AHB), Active Cruise Control (ACC) | • | • |
| | Seven SRS airbags – including full side curtain airbag | • | • |
| | Three child seat restraint anchorage points and seatbelt warning indicator for all occupants | • | • |

- Weights/mass/volumes/dimensions are approximate and subject to individual vehicle variances, and should be confirmed before fitting any accessories, towing or otherwise relying on this value.
- Power and torque test standards differ. Ensure comparisons use same test standard.
- Achieved in test conditions for comparison purposes only. Actual fuel consumption varies depending on driving conditions/style, vehicle condition, load and options/accessories fitted. ADR81/02 combined cycle.
- Compatibility and functionality varies depending on device.
- iPod[®] is a trademark of Apple, Inc. registered in the U.S. and other countries. Bluetooth[®] is a registered trademark of Bluetooth SIG, Inc. Save for Toyota trademarks depicted, all other product and company names are trademarks of their respective owners.

- Coverage dependent on vehicle location.
- Coverage varies based on vehicle location.
- Service varies based on vehicle location. See sunattraffic.com.au
- Requires installation of a compatible app, third party information, sufficient mobile data & GPS signal. Mobile usage is at user's cost. Toyota Australia reserves the right to add, remove or modify applications. For further information see toyota.com.au/toyotalink
- Driver assist feature. Only operates under certain conditions. Check your Owner's Manual for explanation of limitations. Please drive safely.

IMPORTANT NOTICE – PLEASE READ:

Toyota Australia uses its best endeavours to ensure material is accurate at the time of publishing. All information must be confirmed with your Toyota Dealer at the time of ordering, as specifications, applicability and availability may change over time. Colours depicted are a guide only and may vary from actual colours due to the printing/display process. Toyota Australia reserves the right to change and/or discontinue, without notice, models, prices, colours, materials, equipment, specifications. To the extent permitted by law, Toyota Australia will not be liable for any damage or loss incurred from relying

on the information and images contained in this material. Distributed nationally (other than in Western Australia) by Toyota Motor Corporation Australia Limited ABN 64 009 686 097. Material distributed in Western Australia by or on behalf of Prestige Motors Pty Ltd (for vehicles) and by Eastpoint Pty Ltd (for parts/ accessories). Toyota Australia makes no warranties regarding (and will not be liable for) accuracy of materials distributed in Western Australia. PROOF HQ: T2019-011722. GTP1902. VERSION: MARCH 2019.