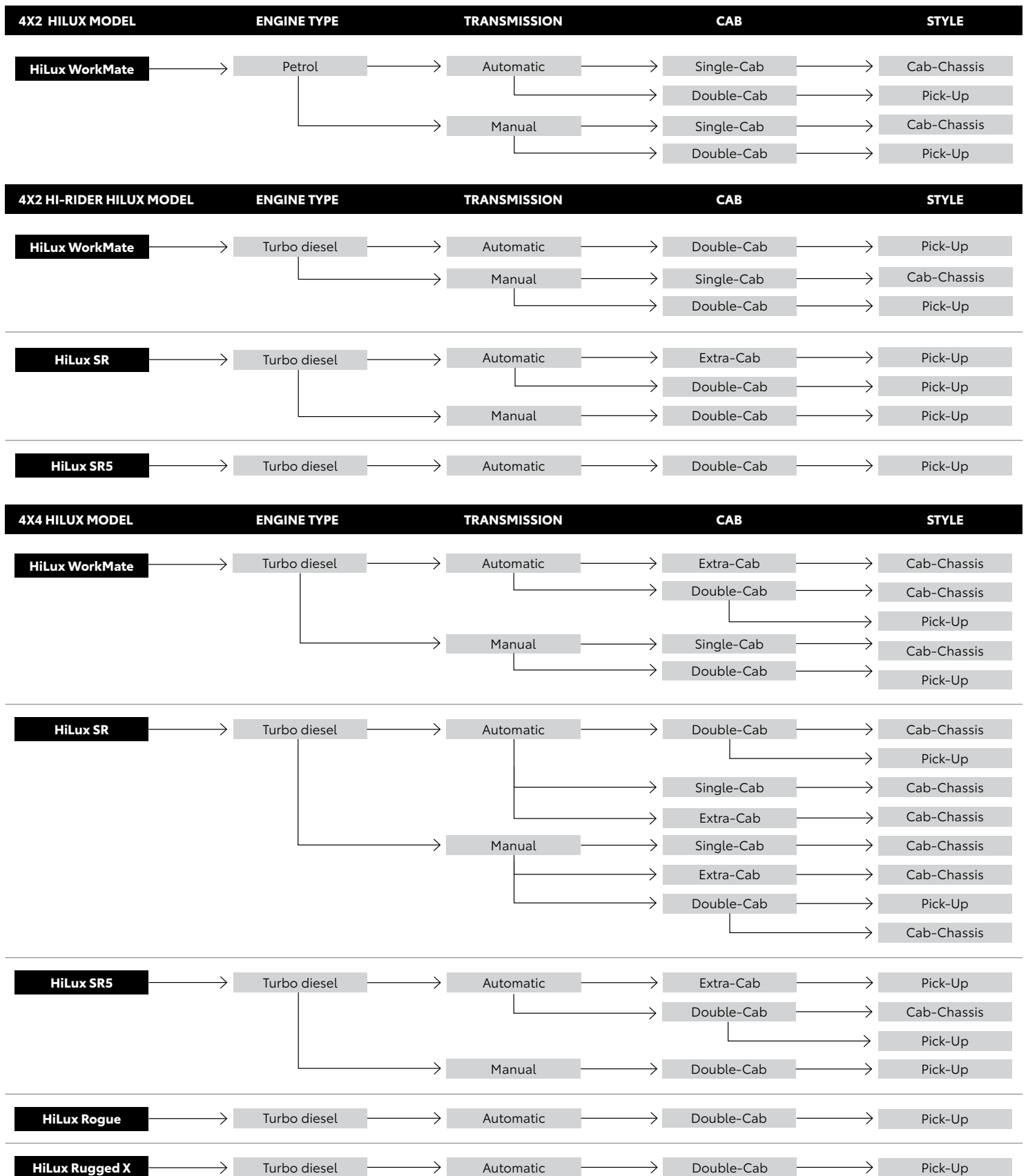
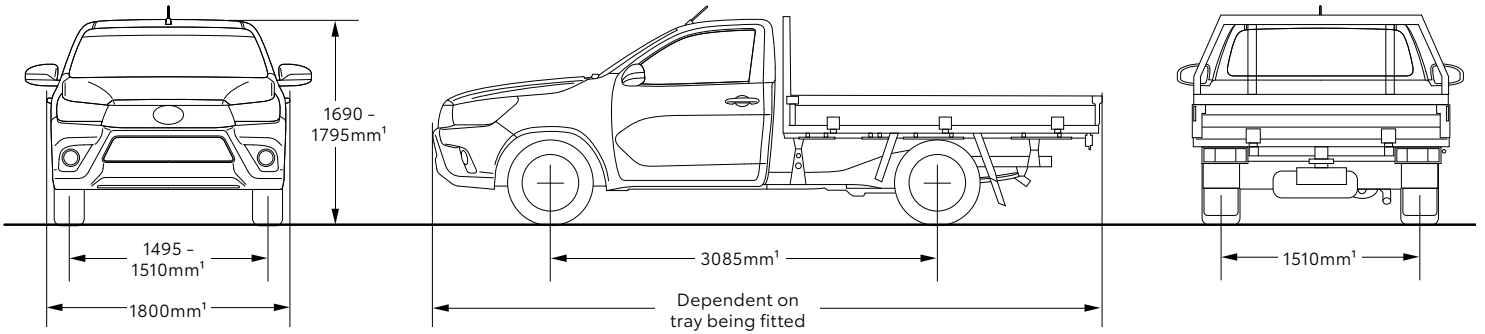


A HiLux built for every need

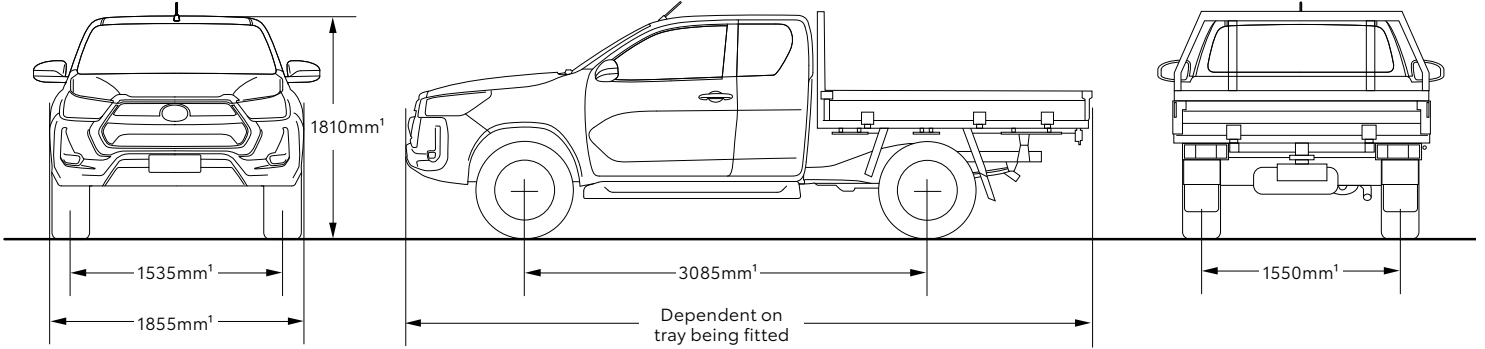


IMPORTANT NOTICE – PLEASE READ: Toyota Australia uses its best endeavours to ensure material is accurate at the time of publishing. All information must be confirmed with your Toyota Dealer at the time of ordering, as specifications, applicability and availability may change over time. Colours depicted are a guide only and may vary from actual colours due to the printing/display process. Toyota Australia reserves the right to change and/or discontinue, without notice, models, prices, colours, materials, equipment, specifications. To the extent permitted by law, Toyota Australia will not be liable for any damage or loss incurred from relying on the information and images contained in this material. Distributed nationally (other than in Western Australia) by Toyota Motor Corporation Australia Limited ABN 64 009 686 097. Material distributed in Western Australia by or on behalf of Prestige Motors Pty Ltd (for vehicles) and by Eastpoint Pty Ltd (for parts/accessories). Toyota Australia makes no warranties regarding (and will not be liable for) accuracy of materials distributed in Western Australia. PROOF HQ: T2020-015307. GTO-003744. VERSION: NOVEMBER 2020.

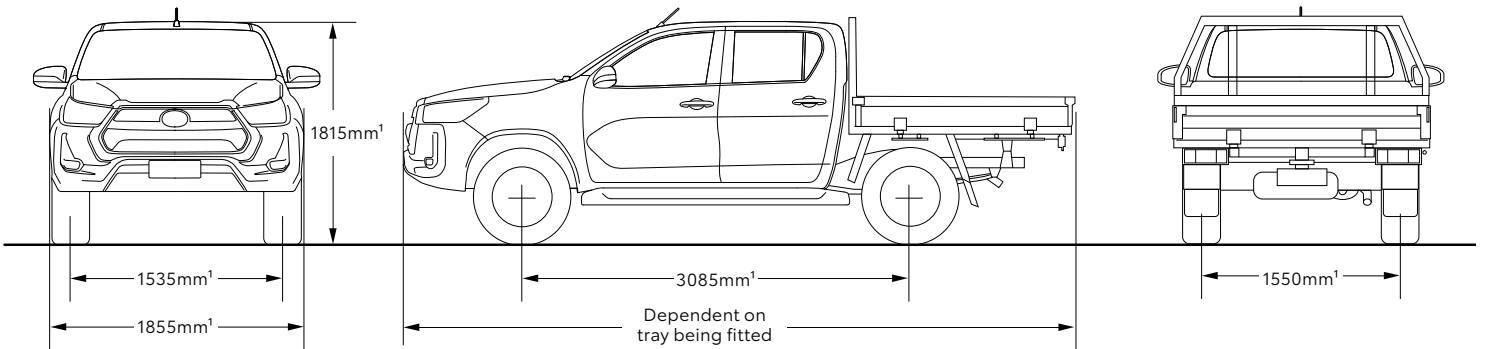
Single-Cab Cab-Chassis



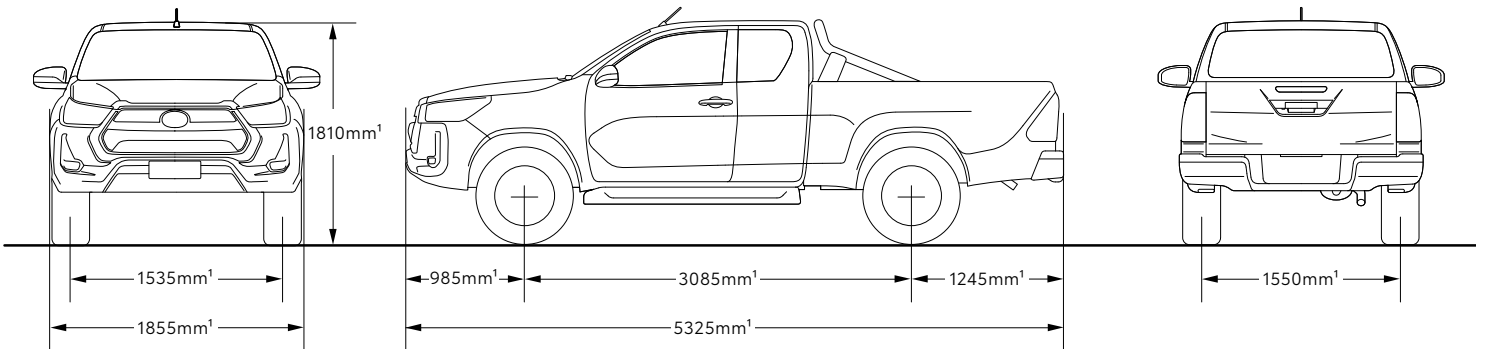
Extra-Cab Cab-Chassis



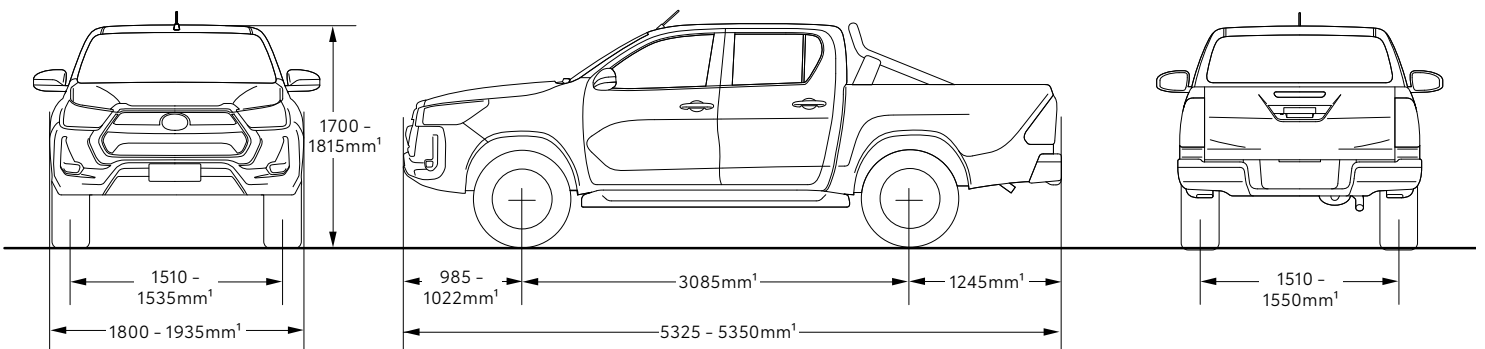
Double-Cab Cab-Chassis



Extra Cab Pick-Up



Double-Cab Pick-Up



HILUX 4X2 AND HI-RIDER		2.7L petrol		2.4L turbo diesel		2.8L turbo diesel	
ENGINE	Engine code	2TR-FE		2GD-FTV		1GD-FTV	
	Displacement (cm ³)	2694		2393		2755	
	Maximum power (kW/rpm)	122 @ 5200		110 @ 3400		150 @ 3400	
	Maximum torque (Nm/rpm)	245 @ 4000		400 @ 1600-2000		420 @ 1400-3400 M/T, 500 @ 1600-2800 A/T	
	Valve train	16-valve DOHC, with Dual VVT-i		16-valve DOHC		16-valve DOHC	
	Fuel system	Electronic fuel injection		Fuel injection with common rail		Fuel injection with common rail	
	Bore x stroke (mm)	95.0 x 95.0		92.0 x 90.0		92.0 x 103.6	
	Compression ratio	10.2:1		15.6:1		15.6:1	
TRANSMISSION	Type	Manual	Automatic	Manual	Automatic	Manual	Automatic
	Number of ratios	5-speed	6-speed	6-speed	6-speed	6-speed	6-speed
	Ratios (:1)	1st 4.313 2nd 2.330 3rd 1.436 4th 1.000 5th 0.838 Rev 4.220	1st 3.600 2nd 2.090 3rd 1.488 4th 1.000 5th 0.687 6th 0.580 Rev 3.732	1st 4.784 2nd 2.423 3rd 1.443 4th 1.000 5th 0.777 6th 0.643 Rev 4.066	1st 3.600 2nd 2.090 3rd 1.488 4th 1.000 5th 0.687 6th 0.580 Rev 3.732	1st 4.784 2nd 2.423 3rd 1.443 4th 1.000 5th 0.826 6th 0.643 Rev 4.066	1st 3.600 2nd 2.090 3rd 1.488 4th 1.000 5th 0.687 6th 0.580 Rev 3.732
	Differential ratio (rear) (:1)	4.100	4.100	3.583	4.100	3.583	3.909

HILUX 4X2 AND HI-RIDER		4x2		4x2 Hi-Rider				
BODY TYPE		Single-Cab	Double-Cab	Single-Cab	Extra-Cab	Double-Cab		
HILUX – 4X2 AND HI-RIDER - GRADE		WorkMate	WorkMate	WorkMate	SR	WorkMate	SR	SR5
ENGINE		Petrol	Petrol	Turbo diesel	Turbo diesel	Turbo diesel	Turbo diesel	Turbo diesel
TRAY TYPE		Cab-Chassis	Pick-Up	Cab-Chassis	Pick-Up	Pick-Up	Pick-Up	Pick-Up
MECHANICAL	Fuel economy ² (combined) (L/100km) – manual / automatic	11.1 / 10.9	10.7 / 10.4	7.8 / -	- / 7.5	6.9 / 7.5	7.1 / 7.5	8.1
	Diesel particulate filter (manual burn off) switch			•	•	•	•	•
	2.4L turbo diesel			•		•		
	2.8L turbo diesel				•		•	•
	2.7L petrol	•	•					
	5-speed manual transmission	•	•					
	6-speed manual transmission			•		•	•	
	6-speed automatic transmission	•	•		•	•	•	•
APPROXIMATE DIMENSIONS	Length / Width / Height ¹ (mm)	5265 / 1800 / 1690	5330 / 1800 / 1700	5265 / 1800 / 1795	5325 / 1855 / 1810	5325 / 1855 / 1815	5325 / 1855 / 1815	5325 / 1855 / 1815
	Wheelbase ¹ (mm)	3085	3085	3085	3085	3085	3085	3085
	Track – front / rear ¹ (mm)	1510 / 1510	1510 / 1510	1495 / 1510	1535 / 1550	1535 / 1550	1535 / 1550	1535 / 1550
	Overhang – front / rear ¹ (mm)		990 / 1250		985 / 1245	985 / 1245	985 / 1245	985 / 1245
WEIGHT	Kerb weight manual ¹ (kg)	1475	1745	1640		1940	1930	
	Kerb weight automatic ¹ (kg)	1490	1755		1920	1945	1940	1958
	Gross Vehicle Mass ¹ (GVM) (kg)	2700	2780	2900	3050	3100	2980	2980
	Gross Combined Mass ¹ (GCM) (kg)	5200	5250	5650	5650	5650	5650	5650
TOWING CAPACITY ³	With trailer brakes (kg) – manual / automatic	2500 / 2500	2500 / 2500	2800 / -	- / 2800	2800 / 2800	2800 / 2800	- / 2800
	Without trailer brakes (kg)	750	750	750	750	750	750	750
SEATING	Capacity	2	5	2	4	5	5	5
FUEL TANK	Capacity (L)	80	80	80	80	80	80	80
STEERING	Steering Gear Type	Rack and Pinion						
BRAKE SYSTEM	System	Vacuum boosted hydraulic system						
	Front / Rear	Ventilated disc brake with floating single piston caliper / Leading-trailing drum brake			Ventilated disc brake with opposed 4-piston caliper / Leading-trailing drum brake			
SUSPENSION	Front / Rear	Double wishbone / Leaf spring rigid axle						
WHEELS AND TYRES	Wheels	16"	16"	17"	17"	17"	17"	18"
	Tyres	215 / 65R16C	215 / 65R16C	225 / 70R17C	265 / 65R17	265 / 65R17	265 / 65R17	265 / 60R18

HILUX 4X2 AND HI-RIDER		WorkMate		SR		SR5
		Single-Cab	Double-Cab	Extra-Cab	Double-Cab	Double-Cab
BODY TYPE		Single-Cab	Double-Cab	Extra-Cab	Double-Cab	Double-Cab
EXTERIOR	Body colour front bumper		Hi-Rider only	•	•	•
	Chrome step type rear bumper					•
	Multi-reflector headlamps	•	•	•	•	•
	Front LED fog lamps					•
	LED headlamps with auto-levelling					•
	LED Daytime Running Lamps (DRLs)					•
	Halogen DRLs	•	•	•	•	
	Privacy glass					•
	Side steps			•	•	•
	Stainless steel sports bar					•
	Rear access door			•		
INTERIOR	Standard fabric seat	•	•			
	Premium fabric seat			•	•	•
	Premium gear knob and steering wheel					•
	4.2" colour Multi Information Display (MID)	•	•	•	•	•
	Chrome interior door handles					•
	Durable vinyl floor covering	•	•	•	•	
	Floor carpet					•
	Front air conditioned cooler box			•	•	•
SEATING	Driver's bucket seat (Basic)	•	•			
	Driver's bucket seat (High grade)			•	•	•
	60/40 split rear seat				•	•
	Front passengers bucket seat (Basic)	•	•			
	Front passengers bucket seat (High grade)			•	•	•
FEATURES	Manual air conditioning	•	•	•	•	
	Climate control air conditioning					•
	Rear air vents					•
	Power front windows	•	•	•	•	•
	Power rear windows	N/A	•	N/A	•	•
	Driver's automatic up/down window	•	•	•	•	•
	Smart entry and start system					•
	Heavy duty suspension and underbody package (Hi-Rider only)	•	•	•	•	•
	220V accessory socket					•
INSTRUMENTS AND CONTROLS	Power steering	•	•	•	•	•
	Drive Mode			•	•	•
	Manual tilt steering column	•	•	•	•	•
	Telescopic steering column	•	•	•	•	•
	Cruise control	•	•	•	•	•
	Steering wheel switches with telephone and voice recognition	•	•	•	•	•
	Steering wheel mounted audio controls	•	•	•	•	•
	Power adjustable mirrors	•	•	•	•	•
	Power accessory socket	1	1	1	1	2
	Variable intermittent windscreen wipers			•	•	•
	Automatic transmission shift interlock	•	•	•	•	•
	Headlamps automatic on/off	•	•	•	•	•
	Trip meter	•	•	•	•	•

HILUX 4X2 AND HI-RIDER		WorkMate		SR		SR5
BODY TYPE		Single-Cab	Double-Cab	Extra-Cab	Double-Cab	Double-Cab
LIGHTING	Illuminated ignition switch	•	•	•	•	•
	Front personal lamp	•	•	•	•	•
STORAGE	Large glove box	•	•	•	•	•
	Front cup holder/s – in dash	•	•	•	•	•
	Rear cup holders – in arm rest				•	•
	Front door pockets	•	•	•	•	•
	Centre console box with lid	Auto Only	•	•	•	•
AUDIO	8" colour touchscreen display with AM/FM tuner	•	•	•	•	•
	Apple CarPlay ^{5,7} and Android Auto ^{TM,6,7} (speak to your Dealer about device compatibility)	•	•	•	•	•
	Satellite navigation and DAB+ digital radio					•
	USB input	•	•	•	•	•
	Bluetooth ^{®8} connectivity	•	•	•	•	•
	Number of speakers	2	2	4	6	6
	Roof mounted antenna	•	•	•	•	•
SAFETY	Toyota Safety Sense – Including Lane Departure Alert, Pre-Collision Safety system with pedestrian and daylight cyclist detection, Road Sign Assist, and Active Cruise Control (High-speed)	•	•	•	•	•
	Anti-lock Braking System (ABS)	•	•	•	•	•
	Vehicle Stability Control (VSC)	•	•	•	•	•
	Traction Control (TRC)	•	•	•	•	•
	Electronic Brake-force Distribution (EBD)	•	•	•	•	•
	Parking sensor					•
	Reversing camera (Pick-Up only)		•	•	•	•
	Hill-start Assist Control	•	•	•	•	•
	Emergency Stop Signal (ESS)	•	•	•	•	•
	Driver and front passenger SRS airbags	•	•	•	•	•
	Seat mounted driver and front passenger side SRS airbags	•	•	•	•	•
	Driver and front passenger seatbelt warning buzzer	•	•	•	•	•
	Driver and front passenger pre-tensioner seatbelt	•	•	•	•	•
	3-point seatbelt for rear outer seating positions	N/A	•	•	•	•
	3-point seatbelt for rear centre position	N/A	•	N/A	•	•
	Door ajar warning light	•	•	•	•	•
	Front door anti-intrusion beams	•	•	•	•	•
	Collapsible steering column	•	•	•	•	•
	Engine immobiliser	•	•	•	•	•
	SECURITY	Alarm	•	•	•	•
Power door locks		•	•	•	•	•
Remote keyless entry		•	•	•	•	•
Lockable glove box		•	•	•	•	•

HILUX – 4X4		2.4L turbo diesel				2.8L turbo diesel			
ENGINE	Engine code	2GD-FTV				1GD-FTV			
	Displacement (cm ³)	2393				2755			
	Maximum power (kW/rpm)	110 @ 3400				150 @ 3400			
	Maximum torque (Nm/rpm)	400 @ 1600-2000				420 @ 1400-3400 M/T, 500 @ 1600-2800 A/T			
	Valve train	16-valve DOHC				16-valve DOHC			
	Fuel system	Fuel injection with common rail				Fuel injection with common rail			
	Fuel capacity (L)	80				80			
	Bore x stroke (mm)	92.0 x 90.0				92.0 x 103.6			
	Compression ratio	15.6:1				15.6:1			
TRANSMISSION	Type	Manual		Automatic		Manual		Automatic	
	Number of ratios	6-speed		6-speed		6-speed		6-speed	
	Ratios (:1)	1st 4.784; 2nd 2.423; 3rd 1.443; 4th 1.000; 5th 0.777; 6th 0.643; Rev 4.066		1st 3.600; 2nd 2.090; 3rd 1.488; 4th 1.000; 5th 0.687; 6th 0.580; Rev 3.732		1st 4.784; 2nd 2.423; 3rd 1.443; 4th 1.000; 5th 0.826; 6th 0.643; Rev: 4.066		1st 3.600; 2nd 2.090; 3rd 1.488; 4th 1.000; 5th 0.687; 6th 0.580 Rev 3.732	
	Differential ratio (rear) (:1)	3.583		4.100		3.583		3.909	

HILUX – 4X4		Body Type												
BODY TYPE		Single-Cab		Extra-Cab			Double-Cab							
GRADE		WorkMate	SR	WorkMate	SR	SR5	WorkMate	SR	SR5	Rogue	Rugged X			
ENGINE		Turbo diesel	Turbo diesel	Turbo diesel	Turbo diesel	Turbo diesel	Turbo diesel	Turbo diesel	Turbo diesel	Turbo diesel	Turbo diesel	Turbo diesel	Turbo diesel	
TRAY TYPE		Cab-Chassis	Cab-Chassis	Cab-Chassis	Cab-Chassis	Pick-Up	Cab-Chassis	Pick-Up	Cab-Chassis	Pick-Up	Pick-Up	Cab-Chassis	Pick-Up	Pick-Up
MECHANICAL	Fuel economy ² (combined) (L/100km)-manual / automatic	7.4 / -	7.8 / 8.0	- / 8.0	7.8 / 8.0	- / 7.9	- / 8.0	7.1 / 7.8	7.8 / 8.0	7.4 / 7.9	8.0 / 7.9	- / 8.0	- / 8.4	- / 8.4
	Diesel particulate filter (manual burn off) switch	•	•	•	•	•	•	•	•	•	•	•	•	•
	2.4L turbo diesel	•	•	•	•	•	•	•	•	•	•	•	•	•
	2.8L turbo diesel	•	•	•	•	•	•	•	•	•	•	•	•	•
	6-speed manual transmission	•	•	•	•	•	•	•	•	•	•	•	•	•
	6-speed automatic transmission	•	•	•	•	•	•	•	•	•	•	•	•	•
	6-speed intelligent Manual Transmission (i-MT)	•	•	•	•	•	•	•	•	•	•	•	•	•
APPROXIMATE DIMENSIONS	Length / Width / Height ¹ (mm)	5265 / 1800 / 1795	5265 / 1800 / 1795	5285 / 1855 / 1810	5285 / 1855 / 1810	5325 / 1855 / 1810	5285 / 1855 / 1815	5325 / 1855 / 1815	5265 / 1855 / 1815	5325 / 1855 / 1815	5325 / 1855 / 1815	5265 / 1855 / 1815	5325 / 1900 / 1795	5350 / 1935 / 1815
	Wheelbase ¹ (mm)	3085	3085	3085	3085	3085	3085	3085	3085	3085	3085	3085	3085	3085
	Track – front / rear ¹ (mm)	1495 / 1510	1495 / 1510	1535 / 1550	1535 / 1550	1535 / 1550	1535 / 1550	1535 / 1550	1535 / 1550	1535 / 1550	1535 / 1550	1535 / 1550	1535 / 1550	1535 / 1550
	Overhang – front / rear ¹ (mm)					985 / 1245	985 / 1245	985 / 1245	985 / 1245	985 / 1245	985 / 1245	985 / 1245		
WEIGHT (approximate)	Kerb weight manual ¹ (kg)	1775	1800		1900			2055	1965	2060 Alloy wheel option 2045	2093			
	Kerb weight automatic ¹ (kg)		1800	1900	1905	2055	1925	2070	1965	2055 Alloy wheel option 2045	2055	1945	2231	2316
	Gross Vehicle Mass ¹ (GVM) (kg)	3050	3050	3050	3100	3100	3050	3050	3050	3050	3050	3050	3050	3050
	Gross Combined Mass ¹ (GCM) (kg)	5850	5850	5850	5850	5850	5850	5850	5850	5850	5850	5850	5850	5850
TOWING CAPACITY ³	With trailer brakes (kg)	3500	3500	3500	3500	3500	3500	3500	3500	3500	3500	3500	3500	3500
	Without trailer brakes (kg)	750	750	750	750	750	750	750	750	750	750	750	750	750
SEATING	Capacity	2	2	4	4	4	5	5	5	5	5	5	5	5
STEERING	Steering Gear Type	Rack and Pinion												
BRAKES	System	Vacuum boosted hydraulic system												
	Front / Rear	Ventilated disc brake with opposed 4-piston caliper / Leading-trailing drum brake												
SUSPENSION	Front / Rear	Double wishbone / Leaf spring rigid axle												
WHEELS AND TYRES	Wheels	17"	17"	17"	17"	18"	17"	17"	17"	17"	18"	18"	18"	17"
	Tyres	225 / 70 R17C	225 / 70 R17C	265 / 65 R17	265 / 65 R17	265 / 60 R18	265 / 65 R17	265 / 65 R17	265 / 65 R17	265 / 65 R17	265 / 60 R18	265 / 60 R18	265 / 60 R18	265 / 65 R17

HILUX – 4X4		WorkMate			SR			SR5		Rogue	Rugged X
BODY TYPE		Single-Cab	Extra-Cab	Double-Cab	Single-Cab	Extra-Cab	Double-Cab	Extra-Cab	Double-Cab	Double-Cab	Double-Cab
AUDIO	8" colour touchscreen display with AM/FM tuner	•	•	•	•	•	•	•	•	•	•
	Apple CarPlay ^{5,7} and Android Auto ^{TM,6,7} (speak to your dealer about device compatibility)	•	•	•	•	•	•	•	•	•	•
	Premium JBL ⁹ audio system									•	•
	Satellite navigation and DAB+ digital radio						Optional Pick-Up only	•	•	•	•
	USB input	•	•	•	•	•	•	•	•	•	•
	Bluetooth ⁸ connectivity	•	•	•	•	•	•	•	•	•	•
	Number of speakers	2	2	2	2	4	6	4	6	9	9
	Roof mounted antenna	•	•	•	•	•	•	•	•	•	•
SAFETY	Toyota Safety Sense – including Lane Departure Alert, Pre-Collision Safety system with pedestrian and daylight cyclist detection, Road Sign Assist, and Active Cruise Control (High-speed)	•	•	•	•	•	•	•	•	•	•
	Vehicle Stability Control (VSC)	•	•	•	•	•	•	•	•	•	•
	Traction Control (TRC)	•	•	•	•	•	•	•	•	•	•
	Electronic Brake-force Distribution (EBD)	•	•	•	•	•	•	•	•	•	•
	Parking sensor							Pick-Up only	Pick-Up only	•	
	Reversing camera (Pick-Up only)			•			•	•	•	•	•
	Hill-start Assist Control	•	•	•	•	•	•	•	•	•	•
	Downhill Assist Control (Pick-Up only)						Auto Only	•	•	•	•
	Emergency Stop Signal (ESS)	•	•	•	•	•	•	•	•	•	•
	Driver and front passenger SRS airbags	•	•	•	•	•	•	•	•	•	•
	Seat mounted driver and front passenger side SRS airbags	•	•	•	•	•	•	•	•	•	•
	Driver and front passenger seatbelt warning buzzer	•	•	•	•	•	•	•	•	•	•
	Driver and front passenger pre-tensioner seatbelt	•	•	•	•	•	•	•	•	•	•
	3-point seatbelt for rear outer seating positions	N/A	•	•	N/A	•	•	•	•	•	•
	3-point seatbelt for rear centre position	N/A	N/A	•	N/A	N/A	•	N/A	•	•	•
	Door ajar warning light	•	•	•	•	•	•	•	•	•	•
	Front door anti-intrusion beams	•	•	•	•	•	•	•	•	•	•
	Collapsible steering column	•	•	•	•	•	•	•	•	•	•
Rear differential lock				•	•	•	•	•	•	•	
Engine immobiliser	•	•	•	•	•	•	•	•	•	•	

- Weights/mass/volumes/dimensions are approximate and subject to individual vehicle variances, and should be confirmed before fitting any accessories, towing or otherwise relying on this value.
- Achieved in test conditions for comparison purposes only. Actual fuel consumption varies depending on driving conditions/style, vehicle condition, load and options/accessories fitted. Source: ADR81/02 combined (L/100km) for manual/auto models
- Towing capacity subject to regulatory requirements, tow bar and vehicle design and towing equipment limitations. Ask your Dealer for Toyota Genuine tow bar capacity and availability details.
- Use of recovery points has safety risks which must be assessed and managed before every recovery operation. Incorrect use of the recovery points may result in death, serious injury or vehicle damage. Always follow warnings and instructions provided on the vehicle and in

the Owner's Manual.

5 CarPlay® is a trademark of Apple, Inc. registered in the U.S. and other countries.

6 Android Auto™ is a trademark of Google LLC.

7 Requires compatible device, USB connection, mobile data, network reception and GPS signal.

8 Mobile usage at user's cost. Apps subject to change. For details see toyota.com.au/connected

9 Bluetooth® is a registered trademark of Bluetooth SIG, Inc.

Product and company names are trademarks of their respective owners.

IMPORTANT NOTICE – PLEASE READ: Toyota Australia uses its best endeavours to ensure material is accurate at the time of publishing. All information must be confirmed with your Toyota Dealer at the time of ordering, as specifications, applicability and availability may change over time. Colours depicted are a guide only and may vary from actual colours due to the printing/display process. Toyota Australia reserves the right to change and/or discontinue, without notice, models, prices, colours, materials, equipment, specifications. To the extent permitted by law, Toyota Australia will

not be liable for any damage or loss incurred from relying on the information and images contained in this material. Distributed nationally (other than in Western Australia) by Toyota Motor Corporation Australia Limited ABN 64 009 686 097. Material distributed in Western Australia by or on behalf of Prestige Motors Pty Ltd (for vehicles) and by Eastpoint Pty Ltd (for parts/accessories). Toyota Australia makes no warranties regarding (and will not be liable for) accuracy of materials distributed in Western Australia. PROOF HQ: T2020-015307. GTO-003744. VERSION: NOVEMBER 2020.