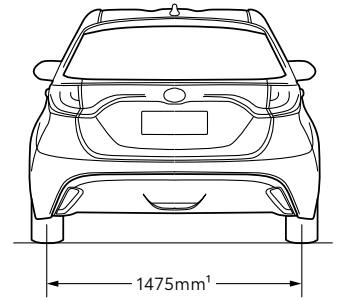
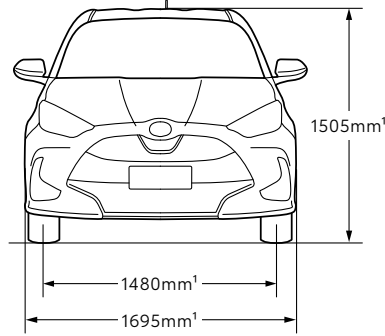
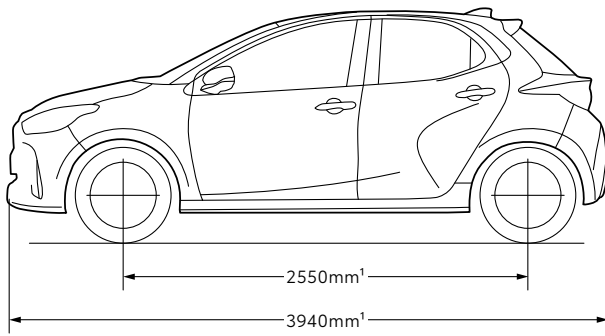


# Yaris



MECHANICAL SPECIFICATIONS		Ascent Sport	SX	SX Hybrid	ZR	ZR Hybrid
ENGINE	1.5L 3-cylinder in-line VVT-iW petrol engine	•	•		•	
	1.5L 3-cylinder in-line VVT-iE hybrid engine			•		•
	Max power (kW)	88kW	88kW	85kW (combined system output)	88kW	85kW (combined system output)
	Max torque (Nm) <sup>2</sup> (engine)	145Nm	145Nm	120Nm	145Nm	120Nm
	Max torque (Nm) <sup>2</sup> (hybrid system)	-	-	141Nm	-	141Nm
FUEL	Fuel economy <sup>3</sup>	5.4L/100km manual / 4.9L/100km auto-CVT	4.9L/100km	3.3L/100km	4.9L/100km	3.3L/100km
	Recommended fuel octane rating	91	91	91	91	91
TRANSMISSION	6-speed intelligent Manual Transmission (iMT)	•				
	Direct Shift Continuously Variable Transmission (auto-CVT)	•	•		•	
	Continuously Variable Transmission (auto-CVT)			•		•
BRAKES	Front and rear	Front ventilated disc brake and rear drum brake				
	Brake control system	Anti-lock Braking System (ABS) with Vehicle Stability Control (VSC) and Brake Assist (BA)				
	Regenerative braking system			•		•
SUSPENSION	Suspension	MacPherson strut type front suspension and Torsion Beam rear suspension				
WEIGHTS AND CAPACITIES (APPROXIMATE)	Braked towing capacity <sup>4</sup> (kg)	N/A	N/A	N/A	N/A	N/A
	Unbraked towing capacity <sup>4</sup> (kg)	N/A	N/A	N/A	N/A	N/A
	Vehicle kerb weight <sup>1</sup> (kg)	1000-1050 (manual) / 1025-1075 (auto-CVT)	1025-1075	1085-1130	1025-1075	1085-1130
	Gross vehicle weight <sup>1</sup> (kg)	1470 (manual) / 1500 (auto-CVT)	1500	1575	1500	1575
	Seating capacity	5	5	5	5	5
	Luggage capacity <sup>1</sup> (L)	270	270	270	270	270
	Fuel tank capacity <sup>1</sup> (L)	40	40	36	40	36
WHEELS	Design and size	15" steel with wheel cap	15" alloy	15" alloy	16" alloy	16" alloy
	Spare wheel	Temporary	Temporary	Temporary	Temporary	Temporary
EXTERIOR	Bi-LED headlamps		•	•	•	•
	LED Daytime Running Lamps	•	•	•	•	•
	Headlamps	Halogen	LED	LED	LED	LED
	Rear LED fog lamps	•	•	•	•	•
	Auto-electronically retractable door mirrors	•	•	•	•	•
INTERIOR	Leather accented steering wheel		•	•	•	•
	Sports front seats				•	•
	Cloth seats	•				
	Fabric seats		•	•	•	•
	Front and rear auto power operation windows	•	•	•	•	•
	Privacy glass (rear and rear side)		•	•	•	•
	60/40 split fold rear seats	•	•	•	•	•
	Rear seat reminder	•	•	•	•	•

MECHANICAL SPECIFICATIONS		Ascent Sport	SX	SX Hybrid	ZR	ZR Hybrid
<b>INSTRUMENTS AND CONTROLS</b>	4.2" Multi Information Display	•	•	•	•	•
	Meter	Double gauge analog	Dual LCD digital	Dual LCD digital	Dual LCD digital	Dual LCD digital
	Head-Up Display				•	•
	Drive mode select	Auto-CVT only	•	•	•	•
	Paddle shift controls				•	
	Smart entry and start system		•	•	•	•
	Manual air conditioning	•				
	Automatic climate control air conditioning		•	•	•	•
	USB <sup>5</sup> charging point	•	•	•	•	•
<b>STORAGE AND CONVENIENCE</b>	Centre console cup holders x 2	•	•	•	•	•
	Door pockets – driver and front passenger	•	•	•	•	•
	Driver and front passenger sunvisors with mirror and light	•	•	•	•	•
	Front and rear door bottle holder	•	•	•	•	•
<b>MULTIMEDIA</b>	7" colour touchscreen display	•	•	•	•	•
	Satellite navigation <sup>7</sup> with SUNA™, <sup>8</sup> traffic channel		•	•	•	•
	USB <sup>5</sup> input	•	•	•	•	•
	Digital radio <sup>9</sup> (DAB+)	•	•	•	•	•
	Bluetooth® <sup>10</sup> connectivity	•	•	•	•	•
	Voice recognition, Mobile Assistant, Siri® <sup>11</sup> Eyes Free, Miracast® <sup>5</sup> and myToyota	•	•	•	•	•
	Apple CarPlay® <sup>12</sup> and Android Auto™, <sup>13</sup>	•	•	•	•	•
	6-speaker audio	•	•	•	•	•
Steering wheel controls for Multi Information Display (MID), telephone and audio	•	•	•	•	•	
<b>SAFETY<sup>14</sup></b>	Lane Trace Assist	•	•	•	•	•
	Lane Departure Alert with steering assist	•	•	•	•	•
	Pre-Collision Safety system with pedestrian (day and night) and cyclist (day) detection	•	•	•	•	•
	Intersection Turn Assistance	•	•	•	•	•
	Road Sign Assist (speed signs only)	•	•	•	•	•
	Automatic High Beam	•	•	•	•	•
	High-speed Active Cruise Control	•	•	•	•	•
	Blind Spot Monitor				•	•
	Rear Cross Traffic Alert				•	•
	Reversing camera with fixed guidelines	•	•	•	•	•
	Anti-lock Braking System with Electronic Brake-force Distribution and Brake Assist	•	•	•	•	•
	Vehicle Stability Control and Traction Control	•	•	•	•	•
	Hill-start Assist Control	•	•	•	•	•
	Active Cornering Assist	•	•	•	•	•
	8 SRS airbags - front, front side and full length curtain airbags	•	•	•	•	•
	Seatbelt warning	•	•	•	•	•
	ISOFIX child restraint anchorage points (rear seats)	•	•	•	•	•
Engine immobiliser	•	•	•	•	•	

- Weights/mass/volumes/dimensions are approximate and subject to individual vehicle variances, and should be confirmed before fitting any accessories, towing or otherwise relying on this value.
- Power and torque test standards differ. Ensure comparisons use same test standard.
- Achieved in test conditions for comparison purposes only. Actual fuel consumption varies depending on driving conditions/style, vehicle condition, load and options/accessories fitted.
- Towing capacity is subject to regulatory requirements, tow bar and vehicle design and towing equipment limitations. Ask your Dealer for Toyota Genuine tow bar capacity and availability details.
- Product and company names are trademarks of their respective owners.
- Compatibility and functionality varies depending on device.

- Coverage varies based on vehicle location.
- Service varies based on vehicle location. See [sunattraffic.com.au](http://sunattraffic.com.au)
- Coverage dependent on vehicle location.
- Bluetooth® is a registered trademark of Bluetooth SIG, Inc.
- Siri® is a trademark of Apple, Inc. registered in the U.S. and other countries.
- CarPlay® is a trademark of Apple, Inc. registered in the U.S. and other countries.
- Android Auto™ is a trademark of Google LLC.
- Driver assist feature. Only operates under certain conditions. Check your Owner's Manual for explanation of limitations. Please drive safely.

**IMPORTANT NOTICE – PLEASE READ:**

Toyota Australia uses its best endeavours to ensure material is accurate at the time of publishing. All information must be confirmed with your Toyota Dealer at the time of ordering, as specifications, applicability and availability may change over time. Colours depicted are a guide only and may vary from actual colours due to the printing/display process. Toyota Australia reserves the right to change and/or discontinue, without notice, models, prices, colours, materials, equipment, specifications. To the extent permitted by law, Toyota Australia will not be liable for any damage or loss incurred

from relying on the information and images contained in this material. Distributed nationally (other than in Western Australia) by Toyota Motor Corporation Australia Limited ABN 64 009 686 097. Material distributed in Western Australia by or on behalf of Prestige Motors Pty Ltd (for vehicles) and by Eastpoint Pty Ltd (for parts/accessories). Toyota Australia makes no warranties regarding (and will not be liable for) accuracy of materials distributed in Western Australia. PROOF HQ: T2020-015110. GTP-003942. VERSION: NOVEMBER 2020.