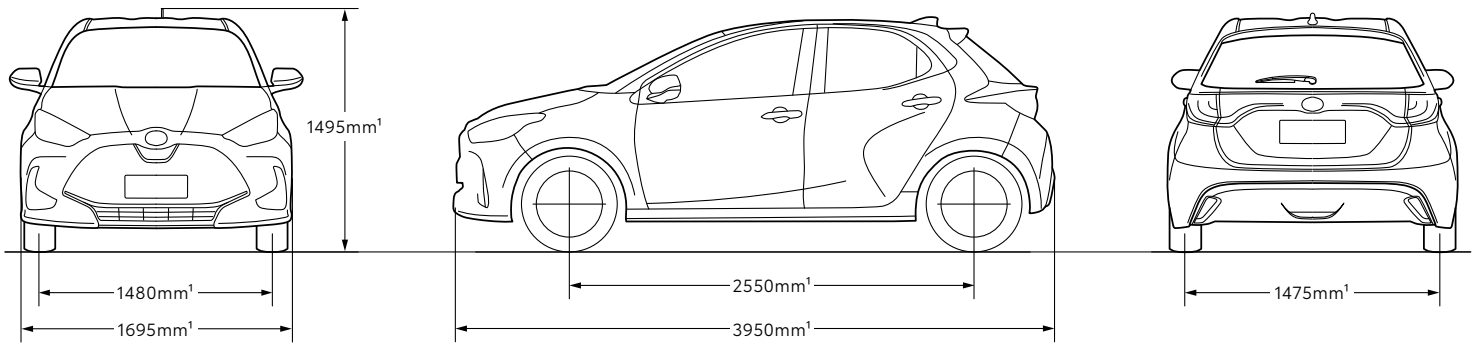


Yaris



Please Note: information is accurate as at May 2026.

Specification and imagery are indicative and should only be used as a guide. Vehicle and accessory specification, features, colour and trim may differ at the time of vehicle delivery.



MECHANICAL SPECIFICATIONS		Yaris	
ENGINE	Engine description	1.5L 3-cylinder in-line VVT-iE Toyota Hybrid Electric System	
	Max power (kW)	85 (combined system output)	
	Engine torque (Nm)	120	
	e-Motor torque (Nm)	Front	141
Rear		52 (AWD only)	
FUEL	Fuel economy ² (L/100km) Results were achieved under laboratory conditions and do not reflect the fuel consumption in real world driving	Combined	3.5
		Extra Urban	3.7
		Urban	3.3
	Recommended fuel octane rating	91	
TRANSMISSION	Continuously Variable Transmission (Auto CVT)	•	
BRAKES	Front and rear	Front ventilated disc brake and rear drum brake	
	Brake control system	Anti-lock Braking System with Vehicle Stability Control and Brake Assist	
	Regenerative braking system	•	
SUSPENSION	Suspension	MacPherson strut type front suspension and torsion beam rear suspension	

YARIS GRADE		Ascent Sport	SX	ZR
WEIGHTS AND CAPACITIES (APPROXIMATE)	Braked towing capacity ³ (kg)	N/A		
	Unbraked towing capacity ³ (kg)	N/A		
	Vehicle kerb weight ¹ – max (kg)	1130		
	Gross vehicle weight ¹ – max (kg)	1575		
	Seating capacity	5		
	Luggage capacity ¹ (L)	270		
	Fuel tank capacity ¹ (L)	36		
WHEELS	Design and size	15" steel with wheel cap	16" alloy	16" alloy
	Temporary spare wheel	•	•	•

YARIS GRADE		Ascent Sport	SX	ZR
EXTERIOR	Headlamps	Halogen	Bi-LED	Bi-LED
	LED Daytime Running Lamps	•	•	•
	Rear fog lamps	•	•	•
	Auto-electronically retractable door mirrors	•	•	•
INTERIOR	Premium steering wheel		•	•
	Sports front seats			•
	Fabric seats	•	•	•
	Front and rear auto power operation windows	•	•	•
	Privacy glass – rear and rear side	•	•	•
	60/40 split fold rear seats	•	•	•
	Rear seat reminder	•	•	•
INSTRUMENTS AND CONTROLS	4.2" Multi Information Display	•		
	7" Multi Information Display		•	•
	Double gauge analogue meter	•		
	Dual LCD digital meter		•	•
	Head-Up Display			•
	Drive mode select	•	•	•
	Smart entry and start system	•	•	•
	Automatic climate control air conditioning		•	•
	USB ⁴ charging point	•	•	•
STORAGE AND CONVENIENCE	2x centre console cup holders	•	•	•
	Door pockets – driver and front passenger	•	•	•
	Driver and front passenger sunvisors with mirror and light	•	•	•
	Front and rear door bottle holder	•	•	•
MULTIMEDIA	8" colour touchscreen display	•	•	•
	Satellite navigation ⁵	•	•	•
	USB-C ⁴ input	•	•	•
	Digital radio	•	•	•
	Bluetooth ^{®6} connectivity	•	•	•
	Voice recognition	•	•	•
	Wireless Apple CarPlay ^{®7} and wireless Android Auto ^{™,7}	•	•	•
	6-speaker audio	•	•	•
	Steering wheel controls for Multi Information Display, telephone and audio	•	•	•

YARIS GRADE		Ascent Sport	SX	ZR
SAFETY ⁶	Lane Trace Assist with Emergency Driving Stop System	•	•	•
	Lane Departure Alert with steering assist	•	•	•
	Pre-Collision Safety system with pedestrian (day and night) and cyclist (day) detection	•	•	•
	Emergency Steering Assist	•	•	•
	Intersection Collision Avoidance Support – day only	•	•	•
	Road Sign Assist – speed signs only	•	•	•
	Automatic High Beam	•	•	•
	Active Cruise Control	•	•	•
	Blind Spot Monitor			•
	Safe Exit Assist			•
	Rear Cross Traffic Alert			•
	Reversing camera with guidelines	•	•	•
	Anti-lock Braking System with Electronic Brake-force Distribution and Brake Assist	•	•	•
	Electronic Parking Brake	•	•	•
	Vehicle Stability Control and Traction Control	•	•	•
	Hill-start Assist Control	•	•	•
	Active Cornering Assist	•	•	•
	8x SRS airbags – including front, front side and full length curtain airbags	•	•	•
	Seatbelt warning	•	•	•
	ISOFIX child restraint anchorage points (outside rear seats)	•	•	•
Engine immobiliser	•	•	•	
Front and Rear Parking sensors with Parking Support Brake	•	•	•	
TOYOTA CONNECTED SERVICES ^{9,10,11}	Toyota Essentials Emergency	Complimentary until Telstra 4G sunset or termination of services in accordance with our T&Cs		
	Toyota Essentials	Complimentary until Telstra 4G sunset or termination of services in accordance with our T&Cs		
	Toyota Connect+	1 year complimentary access – Fees apply thereafter. Subject to Telstra 4G sunset or termination of services in accordance with our T&Cs		
	Toyota Connected Multimedia	1 year complimentary access – Fees apply thereafter. Subject to Telstra 4G sunset or termination of services in accordance with our T&Cs		

- Weights/mass/volumes/dimensions are approximate and subject to individual vehicle variances, and should be confirmed before fitting any accessories, towing or otherwise relying on this value.
- Results were achieved under laboratory conditions and do not reflect the fuel consumption in real world driving. Results achieved for Yaris hatch hybrid petrol in ADR81/02 combined drive cycle fuel consumption testing. Results produced in laboratory test conditions, using new sample vehicles without fitment of accessories/customisation, and may not be replicable.
- Maximum vehicle braked towing capacity is subject to state and federal regulatory requirements. Before towing, customers should consider the vehicle's limitations, including towing capacity specifications, gross vehicle mass (GVM), gross combined mass (GCM), kerb weight specified by the manufacturer, and ensure that individual front and rear axle load limits are not exceeded as also specified by the manufacturer. Vehicle payload calculation is GVM less kerb weight or as otherwise specified in the vehicle owner's manual. Actual payload is affected by any added load to the vehicle, including the number of occupants, luggage, accessories, and tow ball download weight. It is important to consider the actual payload, to ensure the fully loaded vehicle remains within the specified GVM limits. For more details, please refer to the vehicle's Owner's Manual/**Toyota Basic Towing Guide** or consult your authorised dealer. Toyota recommends use of a Load Distribution Hitch (LDH) when towing loads greater than half of the vehicle's GVM or as specified in the Owner's Manual. Based on road conditions, a LDH may not be suitable. Refer to **Toyota Basic Towing Guide**. Toyota Genuine LDH sold separately at additional cost. Warranty conditions apply. Refer to **Toyota Warranty Advantage Guide**.
- Compatibility and functionality varies depending on device.

IMPORTANT NOTICE – PLEASE READ:

Toyota Australia uses its best endeavours to ensure material is accurate at the time of publishing. All information must be confirmed with your Toyota Dealer at the time of ordering, as specifications, applicability and availability may change over time. Colours depicted are a guide only and may vary from actual colours due to the printing/display process. Toyota Australia reserves the right to change and/or discontinue, without notice, models, prices, colours, materials, equipment, specifications. To the extent permitted by law, Toyota Australia will not be liable for any damage or loss incurred

- Coverage varies based on vehicle location.
- Bluetooth® is a registered trademark of Bluetooth SIG, Inc.
- CarPlay® and Siri® are trademarks of Apple, Inc. registered in the U.S. and other countries. Android Auto™ is a trademark of Google LLC. Requires compatible device, USB connection or Bluetooth® connection for vehicles fitted with wireless Apple CarPlay® or Android Auto,™ mobile data, network reception and GPS signal. Mobile usage at user's cost. Apps subject to change. For details see toyota.com.au/services/connected
- Driver assist feature. Only operates under certain conditions. Check your Owner's Manual for explanation of limitations. Please drive safely.
- See toyota.com.au/services/connected/terms-conditions for T&Cs.
- Complimentary periods commence upon delivery date. Fees may apply there after. Not available outside Australia, if services disabled or terminated or after Telstra 4G sunset. Dependent on enabled DCM, GPS signal strength, mobile network coverage, mobile app data (at user's cost), enabled push notifications and other factors outside Toyota's control which can limit ability or functionality of system. Check your Owner's Manual or toyota.com.au/services/connected for explanation of limitations. Please drive safely.
- The myToyota Connect App supports vehicles with a Build date from 2009 onwards, with or without Toyota Connected Services. Requires compatible device and app installation, mobile data (at user's cost), Australian network reception, GPS signal, enabled push notifications and other factors outside Toyota's control which can limit functionality. Features vary by model and may change. See toyota.com.au/services/connected for more information.

from relying on the information and images contained in this material. Distributed nationally (other than in Western Australia) by Toyota Motor Corporation Australia Limited ABN 64 009 686 097. Material distributed in Western Australia by or on behalf of Prestige Motors Pty Ltd (for vehicles) and by Eastpoint Pty Ltd (for parts/accessories). Toyota Australia makes no warranties regarding (and will not be liable for) accuracy of materials distributed in Western Australia. PROOF HQ: T2026-023148. GTP-009824. VERSION: MAY 2026.