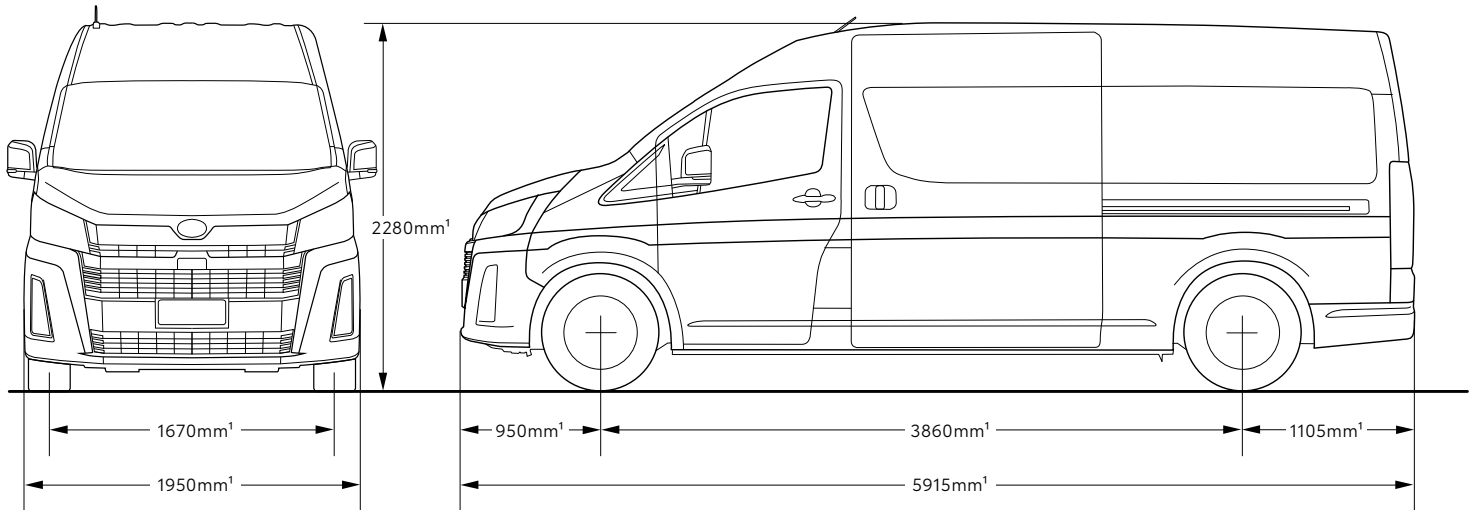
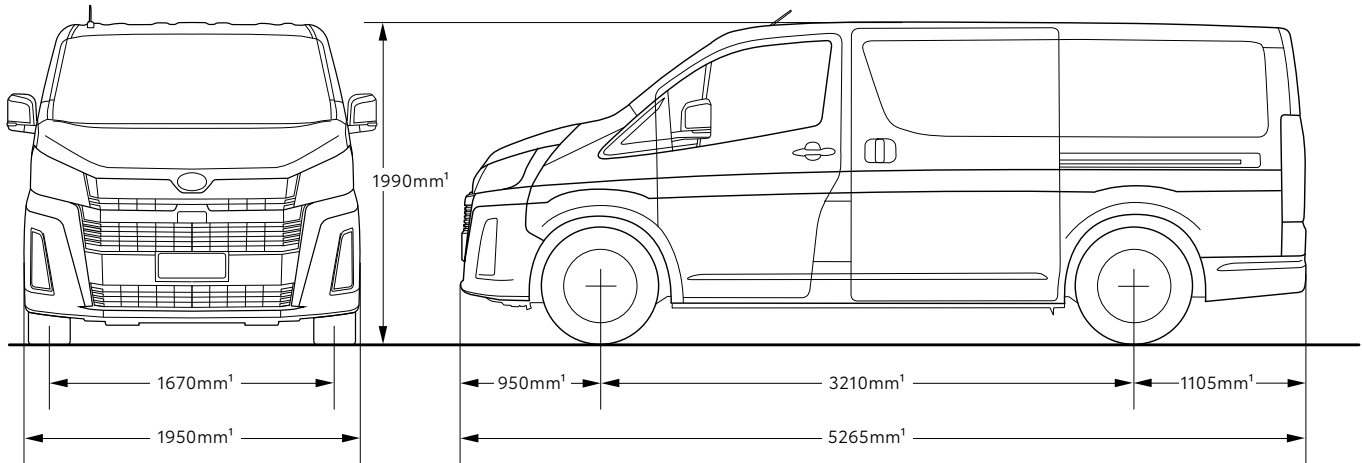


HiAce



HIACE MODEL		LWB Van turbo diesel manual	LWB Van turbo diesel automatic	LWB Van petrol manual	LWB Van petrol automatic	LWB Crew Van turbo diesel automatic	SLWB Van turbo diesel automatic	SLWB Van petrol automatic	Commuter turbo diesel automatic	Commuter GL turbo diesel automatic
ENGINE	Engine code	1GD-FTV	1GD-FTV	7GR-FKS	7GR-FKS	1GD-FTV	1GD-FTV	7GR-FKS	1GD-FTV	1GD-FTV
	Engine description	4 cylinders	4 cylinders	6 cylinders	6 cylinders	4 cylinders	4 cylinders	6 cylinders	4 cylinders	4 cylinders
	Displacement (cm ³)	2755	2755	3456	3456	2755	2755	3456	2755	2755
	Maximum power (kW/rpm)	130/3400	130/3400	207/6000	207/6000	130/3400	130/3400	207/6000	120/3600	120/3600
	Torque (Nm/rpm)	420/1400-2600	450/1600-2400	351/4600	351/4600	450/1600-2400	450/1600-2400	351/4600	420/1600-2200	420/1600-2200
	Bore x stroke (mm)	92.0 x 103.60	92.0 x 103.60	94.0 x 83.0	94.0 x 83.0	92.0 x 103.60	92.0 x 103.60	94.0 x 83.0	92.0 x 103.60	92.0 x 103.60
	Compression ratio (:1)	15.6	15.6	11.8	11.8	15.6	15.6	11.8	15.6	15.6
	Diesel Particulate Filter (forced burn off) switch	•	•			•	•		•	•
FUEL	Fuel consumption ² (combined L/100km)	7.5L	8.2L	12.4L	12.0L	8.4L	8.4L	12.0L		
STEERING	Steering gear type	Rack & Pinion								
	Steering gear ratio	15.6								
BRAKES	Front	Ventilated disc brake with floating caliper 2-cylinder								
	Rear	Leading-trailing drum brake	Ventilated disc brake with floating caliper 1-cylinder	Leading-trailing drum brake	Ventilated disc brake with floating caliper 1-cylinder					
	Parking brake	Hand lever type								
SUSPENSION	Suspension	Front: Macpherson Strut / Rear: Leaf spring rigid axle								
WEIGHTS AND CAPACITIES	Gross Vehicle Mass ¹ (GVM) kg	3300	3300	3200	3200	3300	3500	3400	3710	3720
	Gross Combined Mass ¹ (GCM) kg	5200	4800	4600	4700	4800	5000	4900	5210	5220
	Kerb weight ¹	2220	2205	2135	2120	2305	2340	2260	2615	2665
	Towing capacity ³ (braked kg/unbraked kg)	1900/400	1500/400	1400/400	1500/400					
	Fuel capacity (L)	70								

HIACE MODEL		LWB Van turbo diesel manual	LWB Van turbo diesel automatic	LWB Van petrol manual	LWB Van petrol automatic	LWB Crew Van turbo diesel automatic	SLWB Van turbo diesel automatic	SLWB Van petrol automatic	Commuter turbo diesel automatic	Commuter GL turbo diesel automatic
EXTERIOR	Semi-bonnet design	•	•	•	•	•	•	•	•	•
	Dual sliding doors	•	•	•	•	•	•	•	•	•
	Left side sliding door with glass panel	•	•	•	•	•	•	•	•	•
	Left side sliding door with steel panel		OPT							
	4 door option left sliding door		•							
	Right side sliding door with glass					•				
	Halogen headlamps and DRLs	•	•	•	•	•	•	•	•	•
	LED DRLs									•
	Painted door handles (body colour)		OPT			•	OPT			•
	Painted front and rear bumper (body colour)		OPT			•	OPT			•
	Openable rear windows					•				
	Automatic sliding door									•
	Glass roof escape hatch								•	•
WHEELS	Design and size	16" Steel	16" Steel	16" Steel	16" Steel	16" Steel	16" Steel	16" Steel	16" Steel	16" Alloy
	Full size spare	•	•	•	•	•	•	•	•	•
INTERIOR	Fabric seats	•	•	•	•	•	•	•	•	•
	Synthetic leather/fabric seats									•
	Number of seats	2	2	2	2	5	2	2	12	12
	Centre console tray	•	•	•	•	•	•	•	•	•
	Leather accented steering wheel	•	•	•	•	•	•	•	•	•
	Front and rear interior lamps	•	•	•	•	•	•	•	•	•
INSTRUMENTS AND CONTROLS	8" colour touchscreen with AM/FM radio	•	•	•	•	•	•	•	•	•
	Bluetooth ^{4,5} and USB ⁵ - front x1	•	•	•	•	•	•	•	•	•
	Rear USB ⁵ charging port									•
	Apple CarPlay ^{6,7} and Android Auto ^{TM,8} (speak to your Dealer about device compatibility)	•	•	•	•	•	•	•	•	•
	Cruise control	•	•	•	•	•	•	•	•	•
	4.2" colour Multi Information Display (MID)	•	•	•	•	•	•	•	•	•
	Steering wheel switches	•	•	•	•	•	•	•	•	•
	Digital rear view mirror with auto dimming		OPT			•	OPT			•
SAFETY	Number of SRS airbags	7	7	7	7	9	7	7	3	3
	Pre-Collision Safety system with pedestrian detection and daylight cyclist detection	•	•	•	•	•	•	•	•	•
	Lane Departure Alert (LDA) and Brake Assist (BA)	•	•	•	•	•	•	•	•	•
	Automatic High Beam (AHB)	•	•	•	•	•	•	•	•	•
	Road Sign Assist (RSA)	•	•	•	•	•	•	•	•	•
	Reversing camera	•	•	•	•	•	•	•	•	•
	Front and rear parking sensors	•	•	•	•	•	•	•	•	•
	Blind Spot Monitor (BSM) and Rear Cross Traffic Alert (RCTA)	•	•	•	•	•	•	•	•	•
	Front passenger occupant detection		•	•	•	•	•	•	•	•
	Rear passenger occupant detection					•				

1 Weights/mass/volumes/dimensions are approximate and subject to individual vehicle variances, and should be confirmed before fitting any accessories, towing or otherwise relying on this value.
2 Achieved in test conditions for comparison purposes only. Actual fuel consumption varies depending on driving conditions/style, vehicle condition, load and options/accessories fitted.
3 Towing capacity subject to regulatory requirements, tow bar and vehicle design and towing equipment limitations. Ask your Dealer for Toyota Genuine tow bar capacity and availability details.

4 Bluetooth® is a registered trademark of Bluetooth SIG, Inc.
5 Compatibility and functionality varies depending on device.
6 Requires compatible device, USB connection, mobile data, network reception and GPS signal. Mobile usage at user's cost. Apps subject to change. For details see toyota.com.au/connected
7 CarPlay® is a trademark of Apple, Inc. registered in the U.S. and other countries.
8 Android Auto™ is a trademark of Google LLC.

IMPORTANT NOTICE – PLEASE READ: Toyota Australia uses its best endeavours to ensure material is accurate at the time of publishing. All information must be confirmed with your Toyota Dealer at the time of ordering, as specifications, applicability and availability may change over time. Colours depicted are a guide only and may vary from actual colours due to the printing/display process. Toyota Australia reserves the right to change and/or discontinue, without notice, models, prices, colours, materials, equipment, specifications. To the extent permitted by law, Toyota Australia will not be liable for any damage or loss incurred from relying on the information and images contained in this material. Distributed nationally (other than in Western Australia) by Toyota Motor Corporation Australia Limited ABN 64 009 686 097. Material distributed in Western Australia by or on behalf of Prestige Motors Pty Ltd (for vehicles) and by Eastpoint Pty Ltd (for parts/accessories). Toyota Australia makes no warranties regarding (and will not be liable for) accuracy of materials distributed in Western Australia. PROOF HQ: T2020-014830. GTO-003756. VERSION: NOVEMBER 2020.