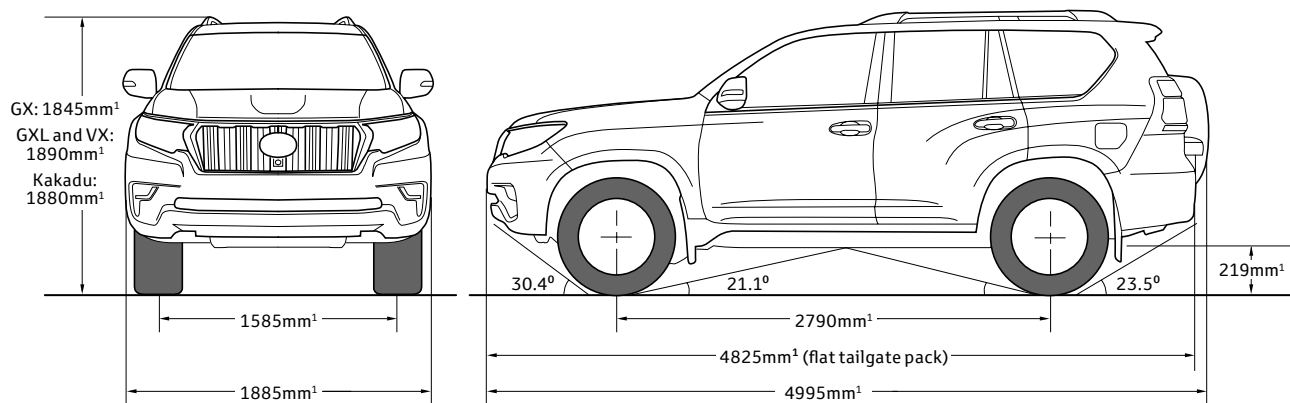


TOYOTA

# Prado



MECHANICAL SPECIFICATIONS		GX	GXL	VX	Kakadu
<b>Engine</b>	Engine description	2.8 litre turbo diesel (1GD-FTV)			
	Displacement (cm <sup>3</sup> )	2755			
	Max power (kW@rpm) <sup>2</sup> / Max torque (Nm@rpm) <sup>2</sup>	130@3400 / 450@1600-2400 (automatic); 420@1400-2600 (manual)			
	Valve train	16-valve DOHC			
	Fuel system	Common-rail			
	Bore x stroke (mm)	92.0 x 103.6			
	Compression ratio	15.6:1			
<b>Transmission</b>	Transmission	6-speed automatic or manual		6-speed automatic	
	Gear ratios – automatic transmission (:1)	Automatic: 1st 3.6; 2nd 2.09; 3rd 1.488; 4th 1.000; 5th 0.687; 6th 0.580; Reverse 3.732			
	Gear ratios – manual transmission (:1)	Manual: 1st 4.171; 2nd 2.190; 3rd 1.488; 4th 1.193; 5th 1.000; 6th 0.799; Reverse 3.607		-	
	Differential gear ratio	3.909:1 (automatic), 3.727:1 (manual)		3.909:1	
	Driveline	4WD			
<b>Fuel</b>	Fuel type	Diesel			
	Fuel economy <sup>3</sup> (L/100km) – automatic	Combined: 8.0, Urban: 9.8, Extra: 7.0			
	Fuel economy <sup>3</sup> (L/100km) – manual	Combined: 7.9, Urban: 9.4, Extra: 7.0		-	
	Fuel capacity (litres)	87L + 63L (sub tank) = 150L (Flat tailgate pack 87L only)			
<b>Steering</b>	Steering operation	Rack & pinion power steering			
	Power steering system	Variable Flow Control (VFC) Hydraulic			
	Turning circle (kerb to kerb) (metres)	11.6			
<b>Brakes</b>	Front	Ventilated disc with four piston fixed calipers			
	Rear	Ventilated disc with single piston floating calipers			
<b>Suspension</b>	Front	Double-wishbone type			
	Rear	4 link with coil springs			4 link with air springs
<b>Weights (Approximate)</b>	Kerb weight <sup>1</sup> (kg) – automatic transmission	2240 (5-seat); 2300 (7-seat)	2325	2385	2455
	Kerb weight <sup>1</sup> (kg) - Flat tailgate option	-	2265	2325	2395
	Kerb weight <sup>1</sup> (kg) – manual transmission	2230 (5-seat)	2315	-	-
	Gross vehicle mass <sup>1</sup> (kg)	2990	2990	2990	2990
<b>Capacities</b>	Seating capacity	5 (7-seat option on automatic only)	7	7	7
	Towing capacity <sup>4</sup> – with trailer brakes (automatic/manual) (kg)	3000 / 2500	3000 / 2500	3000 / -	3000 / -
	Towing capacity <sup>4</sup> – without trailer brakes (kg)	750	750	750	750
<b>Wheels</b>	17" alloy wheels	•	•		
	18" alloy wheels			•	•
	Full size spare wheel	•	•	•	•
<b>Exterior</b>	Halogen headlamps with 'headlight-on' function	•			
	Bi-LED headlamps with LED DRLs		•	•	•
	LED fog lamps		•	•	•
	Manual headlamp levelling	•			
	Auto-levelling headlamps		•	•	•
	Heated and electrically retractable side mirrors	•	•	•	•
	Privacy glass		•	•	•
	Flat tailgate pack (automatic only)		Optional	Optional	Optional
	Glass hatch (Flat tailgate pack only)		•	•	•
	Front and rear mudguards	•	•	•	•
	Tilt and slide moonroof				•

MECHANICAL SPECIFICATIONS		GX	GXL	VX	Kakadu
Interior	40:20:40 split sliding second-row seats	•	•	•	•
	50:50 split fold flat third-row seats	7-seat option (on automatic only)	•	•	•
	Urethane steering wheel with audio and telephone controls	•			
	Premium steering wheel with audio and telephone controls		•	•	
	Premium woodgrain-look steering wheel with audio, Multi Information Display and telephone controls				•
	Cargo blind	•	•	•	•
	Heated and ventilated front seats with heated second row outer seats		Optional	•	•
	Leather accented seats with power adjustable driver and front passenger seat		Optional	•	•
Instruments and Controls	Smart entry and start system	•	•	•	•
	Manual air conditioning	•			
	3-zone climate control air conditioning		•	•	•
	Electroluminescent combimeter and 4.2" Multi Information Display	Automatic only	Automatic only	•	•
	Auto-dimming rear view mirror			•	•
	Panoramic and Multi-Terrain Monitor			•	•
	Drive Mode Select				•
	Diesel Particulate Filter (forced burn off) switch	•	•	•	•
Safety	Toyota Safety Sense (Lane Departure Alert, Pre-Collision Safety System with pedestrian detection, <sup>5</sup> Automatic High Beam and Active Cruise Control)	Automatic only	Automatic only	•	•
	Anti-lock Braking System (ABS) with Electronic Brake-force Distribution (EBD) and Brake Assist (BA)	•	•	•	•
	Vehicle Stability Control (VSC) and Traction Control (TRC)	•	•	•	•
	Trailer Sway Control (TSC)	•	•	•	•
	7 SRS airbags	•	•	•	•
	Reversing camera	•	•	•	•
	3-point type emergency locking retractor seat belts	•	•	•	•
	Rear parking sensors (4-head kit)		•	•	•
	Front parking sensors (4-head kit)			•	•
	Blind Spot Monitor (BSM)			•	•
Rear Cross Traffic Alert (RCTA)			•	•	
Off-road capabilities	Active Traction Control (A-TRC)	•	•	•	•
	Downhill Assist Control (DAC)	Automatic only	Automatic only	•	•
	Hill-start Assist Control (HAC)	Automatic only	Automatic only	•	•
	Rear differential lock switch		Automatic only	•	•
	5-speed crawl control				•
	Adaptive Variable Suspension system (AVS)				•
	Multi-Terrain Select system (MTS)				•
	Kinetic Dynamic Suspension System (KDSS)				•
Security	Engine immobiliser system	•	•	•	•
	Theft deterrent system (alarm)		•	•	•
Storage	Air conditioned cool box	•	•		
	Refrigerated cool box			•	•
	Driver and front passenger seat back map pockets	•	•	•	•
Multimedia	8" colour touchscreen display	•	•	•	•
	Satellite navigation <sup>6</sup>	•	•	•	•
	Single-disc in-dash CD player with MP3 connectivity <sup>7</sup> and AM/FM tuner	•	•	•	•
	Digital radio <sup>8</sup> (DAB)			•	•
	AUX input for portable audio players, <sup>7</sup> USB input for some iPods <sup>9</sup> /USB memory sticks <sup>7</sup>	•	•	•	•
	Bluetooth <sup>10</sup> connectivity (including audio streaming)	•	•	•	•
	Premium JBL <sup>11</sup> 14-speaker surround sound system			•	•
	Blu-ray™ rear seat entertainment system with 3 wireless headsets				•

1 All vehicle weights/mass and dimensions are approximate and subject to individual vehicle variances. Vehicles should be individually weighed and measured before fitting any accessories, towing or designing any compatible trailer/caravan or otherwise using the vehicle in any way that depends on this value.

2 Power and torque test standards differ. Ensure comparisons use same test standard.

3 Achieved in test conditions. Actual fuel consumption may vary depending on driving conditions/style, vehicle condition and options/accessories fitted. Fuel consumption data provided for comparison purposes only. Source: ADR81/02.

4 Towing capacity is subject to regulatory requirements, tow bar and vehicle design and towing equipment limitations. Ask your Dealer for Toyota Genuine tow bar capacity and availability details.

5 Pre-Collision Safety system with pedestrian detection is a driver assist feature only and not a substitute for safe driving practices. Driver remains responsible at all times for safe driving. Pedestrians may not be detected in certain conditions including low and harsh light, where partially

obstructed from view, where clothing or movement obscures or effects body contours, persons under 1 metre or over 2 metres tall and where carrying or pushing large objects.

6 Current navigation mapping database encompasses major capital and primary national road networks and offers some coverage in regional areas.

7 Not all devices will be compatible. Functionality varies depending on device.

8 Digital radio station coverage dependent on vehicle location.

9 iPod® is a trademark of Apple, Inc. Not all devices will be compatible and functionality will vary depending on the device.

10 The Bluetooth® word mark is owned by Bluetooth SIG, Inc. Not all devices will be compatible and functionality varies depending on the device. Bluetooth video streaming not available.

11 JBL® is a registered trademark of Harman International Industries, Incorporated.

**IMPORTANT NOTICE – PLEASE READ:** Toyota Australia uses its best endeavours to ensure material is correct when published. Check with your authorised Toyota Dealer when ordering to ensure the vehicle with your chosen specifications, equipment and colour is available and can be delivered within the timeframe suitable to you. When ordering accessories, check with your authorised Toyota Dealer to ensure the accessory's design, features and colours are available and fit your vehicle. Ensure the mass of your load does not exceed the maximum allowable individual axle capacity, Gross Vehicle Mass and/or Gross Combined Mass of the vehicle. Refer to [toyota.com.au](http://toyota.com.au) for further details. Colours displayed are a guide only and may vary from actual colours due to printing/display processes. Certain accessories when fitted will require the removal of standard equipment, which may be retained by Toyota Australia or your Toyota Dealer. Toyota Australia reserves the right to change, without notice, prices, colours, materials, equipment, specifications and discontinue colours/models. To the extent permitted by law, Toyota Australia will not be liable for any damage, loss or expense incurred as a result of reliance on this material in any way. Distributed nationally (other than in Western Australia) by Toyota Motor Corporation Australia Limited ABN 64 009 686 097, 155 Bertie St, Port Melbourne 3207. Material distributed in Western Australia by or on behalf of Prestige Motors Pty Ltd (for vehicles) and by Eastpoint Pty Ltd (for parts/accessories). Toyota Australia makes no warranties regarding (and will not be liable for) accuracy of materials distributed in Western Australia. PROOF HQ: T2018-010036. GTO1936. VERSION: JUNE 2018.