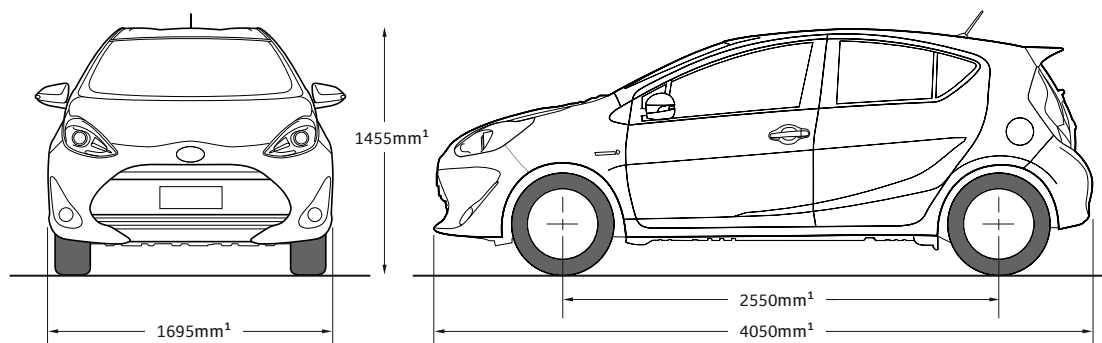


Prius c



MECHANICAL SPECIFICATIONS		Prius c	Prius c i-Tech®
Hybrid System	Combined system output	74kW ²	
	Three driving modes	'Normal', 'ECO' and 'EV'	
Petrol Engine	Engine description	1.5L Atkinson cycle 4-cylinder petrol engine	
	Maximum power/torque ²	54kW @ 4800rpm/111Nm @ 4000rpm	
Electric Motor	Maximum voltage/power/torque ²	520V/45kW/169Nm	
Fuel Consumption	Fuel economy ³ – (L/100km)/emissions – (CO ₂ g/km)	3.9L/100km/90g/km	
Transmission	Transmission type	Continuously Variable Transmission (auto-CVT)	
Steering and Brakes	Premium steering wheel with steering wheel controls	•	•
	Regenerative braking system	•	•
Capacities and Weights (Approximate)	Vehicle kerb weight (kg) ¹	1120–1140kg	
	Seating capacity	5	
	Fuel tank capacity (L)	36L	
Wheels	Size and type	15" steel	15" alloy
	Temporary spare wheel	•	•

MECHANICAL SPECIFICATIONS		Prius c	Prius c i-Tech®
Exterior	Front fog lamps	•	•
	Auto-levelling LED headlamps		•
	Rear privacy glass		•
	Retractable side view mirrors	•	•
Interior	Premium seats and trim		•
	60/40 split fold rear seats	•	•
Instruments and Controls	Smart entry and smart system	•	•
	Automatic climate control air conditioning	•	•
	Energy monitor/Hybrid system indicator/Multi Information Display (MID)	•	•
	Cruise control	•	•
Multimedia	6.1" colour touchscreen with voice recognition and Bluetooth® ⁴ connectivity, satellite navigation, ⁵ SUNA™ ⁶ traffic channel, Toyota Link and 6 speakers	•	•
Safety	Anti-lock Braking System (ABS) with Electronic Brake-force Distribution (EBD) and Brake Assist (BA), Vehicle Stability Control (VSC) with Traction Control (TRC) and Hill-start Assist Control (HAC)	•	•
	Reversing camera	•	•
	7 SRS airbags – dual front, front side and full length curtain airbags and driver's knee airbag	•	•
	Driver and front passenger pre-tensioner and force limiter seatbelts and 3-point ELR seatbelts for rear left and right seats	•	•
	LED taillights with Emergency Brake Signal	•	•

1 Weights/mass/volumes/dimensions are approximate and subject to individual vehicle variances, and should be confirmed before fitting any accessories, towing or otherwise relying on this value.

2 Power and torque test standards differ. Ensure comparisons use same test standard.

3 Achieved in test conditions for comparison purposes only. Actual fuel consumption varies depending on driving conditions/style, vehicle condition, load and options/accessories fitted. Source: ADR81/02 combined cycle.

4 The Bluetooth® word mark is owned by Bluetooth SIG, Inc. Not all devices will be compatible and functionality varies depending on the device.

5 Current navigation mapping database encompasses major capital and primary national road networks and offers some coverage in regional areas.

6 Service varies based on vehicle location. See sunattraffic.com.au.

IMPORTANT NOTICE – PLEASE READ:

Toyota Australia uses its best endeavours to ensure material is accurate at the time of publishing. All information must be confirmed with your Toyota dealer at the time of ordering, as specifications, applicability and availability may change over time. Colours depicted are a guide only and may vary from actual colours due to the printing/display process. Toyota Australia reserves the right to change and/or discontinue, without notice, models, prices, colours, materials, equipment, specifications. To the extent permitted by law, Toyota Australia will not be liable for any damage

or loss incurred from relying on the information and images contained in this material. Distributed nationally (other than in Western Australia) by Toyota Motor Corporation Australia Limited ABN 64 009 686 097. Material distributed in Western Australia by or on behalf of Prestige Motors Pty Ltd (for vehicles) and by Eastpoint Pty Ltd (for parts/ accessories). Toyota Australia makes no warranties regarding (and will not be liable for) accuracy of materials distributed in Western Australia. PROOF HQ: T2019-012607. GTP1918. VERSION: JULY 2019.