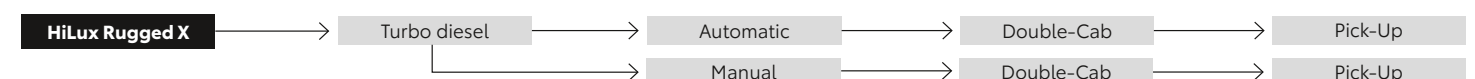
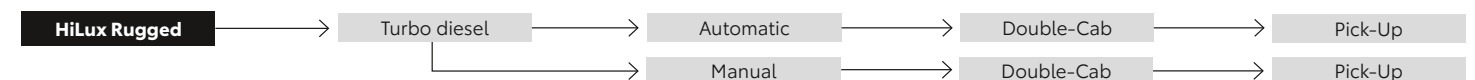
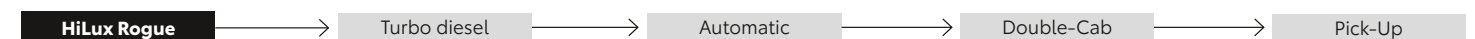
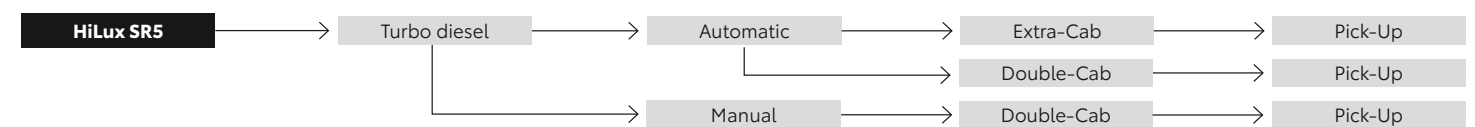
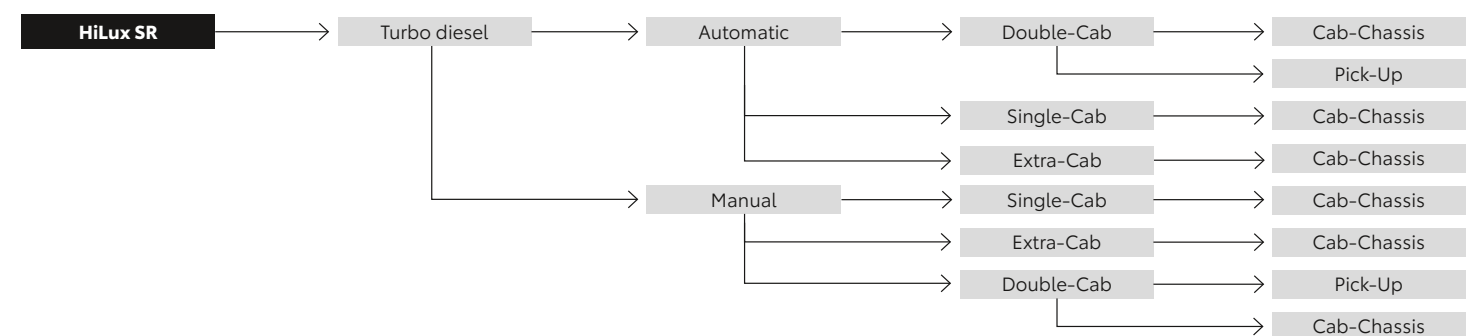
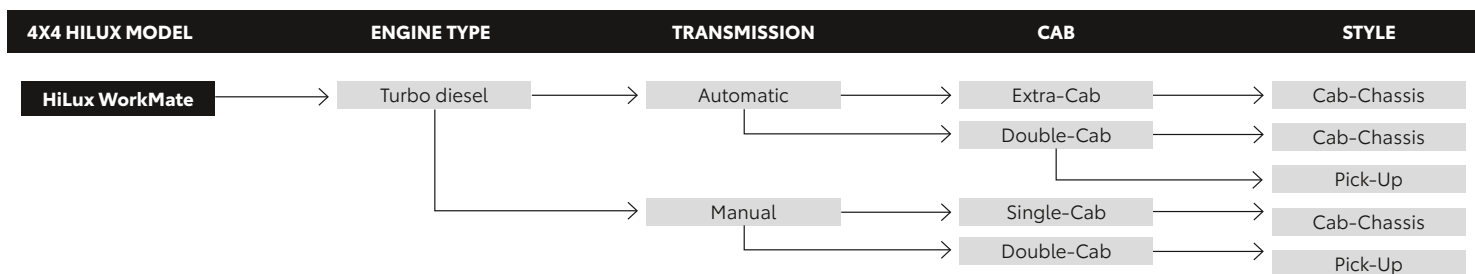
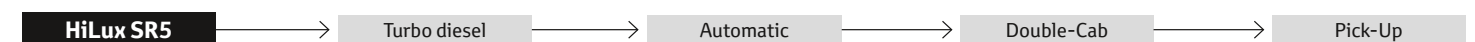
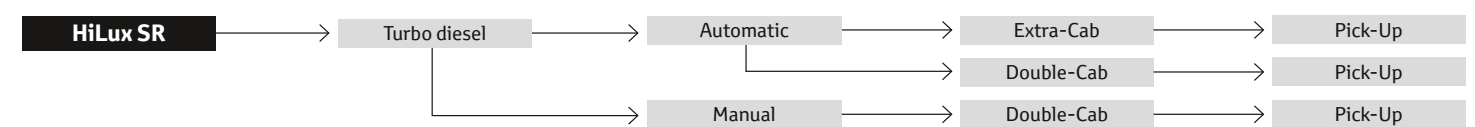
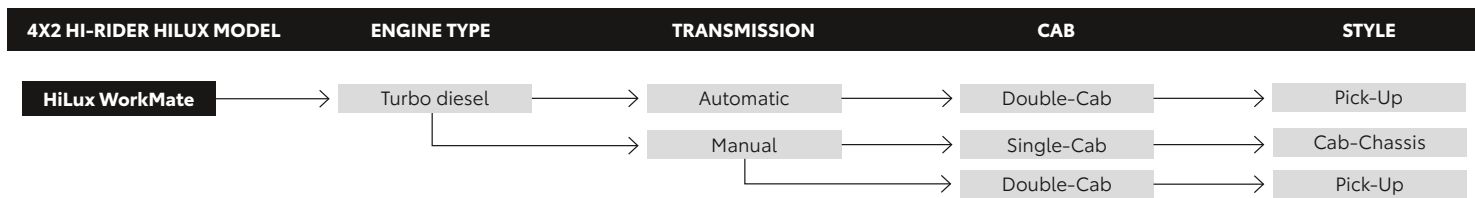
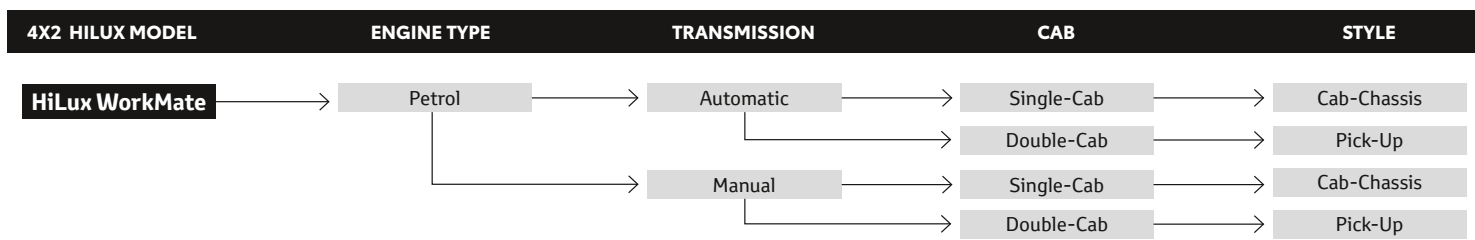


A HiLux built for every need

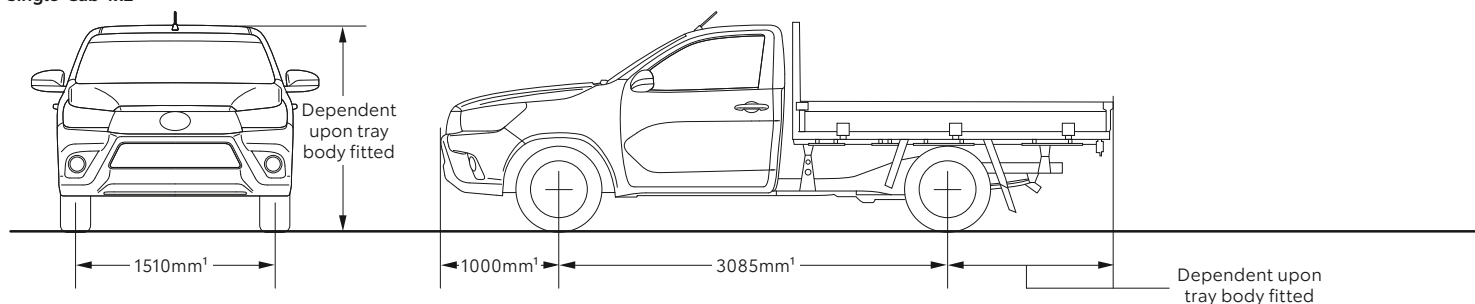


IMPORTANT NOTICE – PLEASE READ: Toyota Australia uses its best endeavours to ensure material is correct when published. Check with your authorised Toyota Dealer when ordering to ensure the vehicle with your chosen specifications, equipment and colour is available and can be delivered within the timeframe suitable to you. Certain accessories when fitted will require the removal of standard equipment, which may be retained by Toyota Australia or your Toyota Dealer. Toyota Australia reserves the right to change, without notice, prices, colours, materials, equipment, and specifications and discontinue colours/models. To the extent permitted by law, Toyota Australia will not be liable for any damage, loss or expense incurred as a result of reliance on this material in any way. Distributed nationally (other than in Western Australia) by Toyota Motor Corporation Australia Limited ABN 64 009 686 097, 155 Bertie St, Port Melbourne 3207. Material distributed in Western Australia by or on behalf of Prestige Motors Pty Ltd (for vehicles) and by Eastpoint Pty Ltd (for parts/accessories). Toyota Australia makes no warranties regarding (and will not be liable for) accuracy of materials distributed in Western Australia. PROOF HQ: T2019-012510. GTO2030. VERSION: JULY 2019.

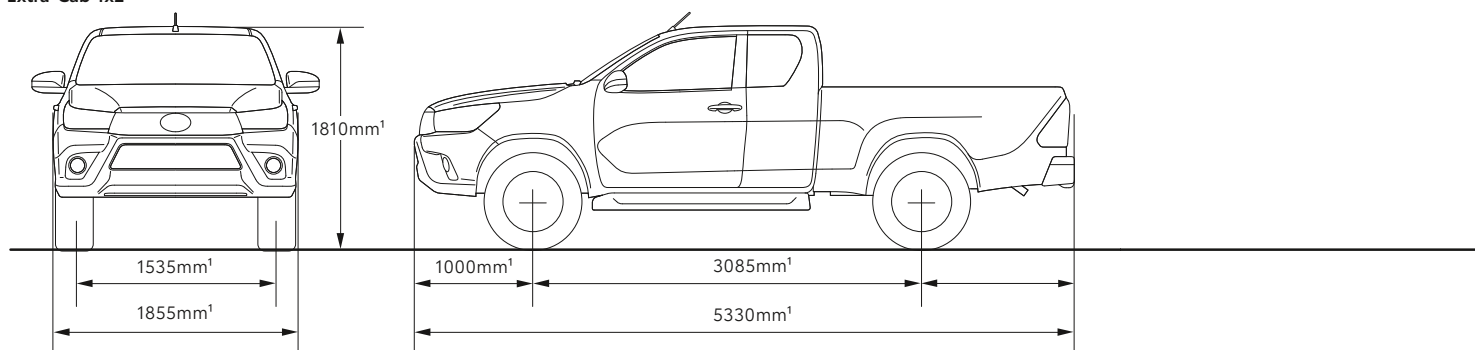
HiLux 4x2 and Hi-Rider



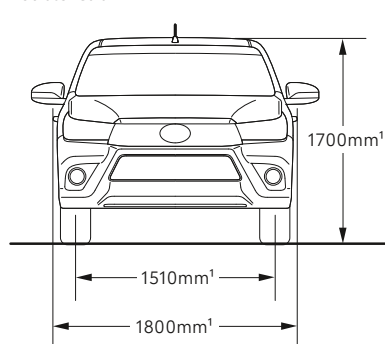
Single-Cab 4x2



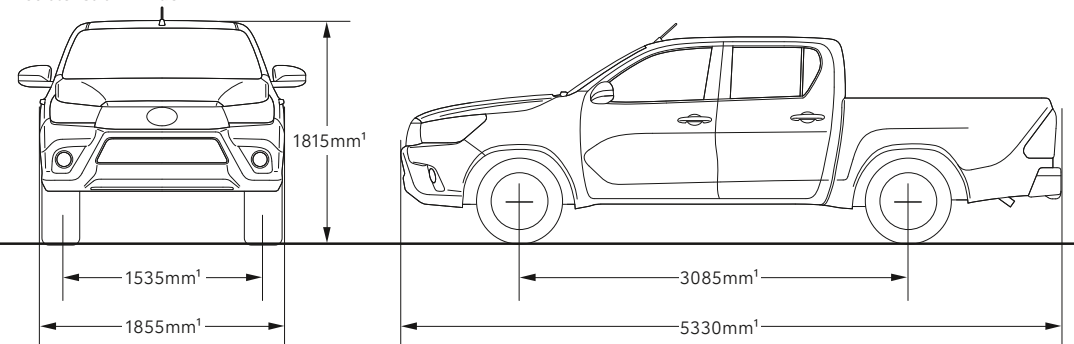
Extra-Cab 4x2



Double-Cab 4x2



Double-Cab Hi-Rider



HILUX – 4X2 AND HI-RIDER		2.7L petrol		2.4L turbo diesel		2.8L turbo diesel	
ENGINE	Engine Code	2TR-FE		2GD-FTV		1GD-FTV	
	Displacement (cm ³)	2694		2393		2755	
	Maximum Power (kW/rpm)	122@5200		110@3400		130@3400	
	Maximum Torque (Nm/rpm)	245@4000		400@1600-2000		420@1400-2600 m/t, 450@1600-2400 a/t	
	Valve train	16-valve DOHC, with Dual VVT-i		16-valve DOHC		16-valve DOHC	
	Fuel system	Electronic fuel injection		Fuel injection with common rail		Fuel injection with common rail	
	Bore X Stroke (mm)	95.0 x 95.0		92.0 x 90.0		92.0 x 103.6	
	Compression ratio	10.2:1		15.6:1		15.6:1	
TRANSMISSION	Type	Manual	Automatic	Manual	Automatic	Manual	Automatic
	Number of ratios	5-speed	6-speed	6-speed	6-speed	6-speed	6-speed
	Ratios (:1)	1st 4.313 2nd 2.330 3rd 1.436 4th 1.000 5th 0.838 6th 0.580 Rev 4.220	1st 3.600 2nd 2.090 3rd 1.488 4th 1.000 5th 0.687 6th 0.580 Rev 3.732	1st 4.784 2nd 2.423 3rd 1.443 4th 1.000 5th 0.777 6th 0.643 Rev 4.066	1st 3.600 2nd 2.090 3rd 1.488 4th 1.000 5th 0.687 6th 0.580 Rev 3.732	1st 4.784 2nd 2.423 3rd 1.443 4th 1.000 5th 0.826 6th 0.643 Rev 4.066	1st 3.600 2nd 2.090 3rd 1.488 4th 1.000 5th 0.687 6th 0.580 Rev 3.732
	Differential ratio (rear) (:1)	4.100	4.100	3.583	4.100	3.583	3.909

HILUX – 4X2 AND HI-RIDER		4x2		4x2 Hi-Rider				
		Single-Cab	Double-Cab	Single-Cab	Extra-Cab	Double-Cab		
BODY TYPE		Single-Cab	Double-Cab	Single-Cab	Extra-Cab	Double-Cab		
HILUX – 4X2 AND HI-RIDER - GRADE		WorkMate	WorkMate	WorkMate	SR	WorkMate	SR	SR5
ENGINE		Petrol	Petrol	Turbo diesel	Turbo diesel	Turbo diesel	Turbo diesel	Turbo diesel
TRAY TYPE		Cab-Chassis	Pick-Up	Cab-Chassis	Pick-Up	Pick-Up	Pick-Up	Pick-Up
MECHANICAL	Fuel economy ³ (combined) (L/100km) – manual / automatic	11.1 / 10.9	10.7 / 10.4	7.8 / -	- / 7.9	7.2 / 8	7.3 / 7.9	- / 7.9
	Diesel particulate filter (forced burn off) switch			•	•	•	•	•
	2.4L turbo diesel			•		•		
	2.8L turbo diesel				•		•	•
	2.7L petrol	•	•					
	5-speed manual transmission	•	•					
	6-speed manual transmission			•		•	•	
	6-speed automatic transmission	•	•		•	•	•	•
APPROXIMATE DIMENSIONS	Length / Width / Height ¹ (mm)	- / - / 1690	5330 / 1800 / 1700	- / - / 1795	5330 / 1855 / 1810	5330 / 1855 / 1815	5330 / 1855 / 1815	5330 / 1855 / 1815
	Wheelbase ¹ (mm)	3085	3085	3085	3085	3085	3085	3085
	Track – front / rear ¹ (mm)	1510 / 1510	1510 / 1510	1510 / 1510	1535 / 1550	1535 / 1550	1535 / 1550	1535 / 1550
	Overhang – front / rear ¹ (mm)	1000 / -	1000 / 1245	1000 / -	1000 / 1245	1000 / 1245	1000 / 1245	1000 / 1245
WEIGHT	Kerb weight manual ¹ (kg)	1475	1745	1640		1905	1930	
	Kerb weight automatic ¹ (kg)	1490	1755		1910	1935	1930	1900
	Gross Vehicle Mass ¹ (GVM) (kg)	2700	2780	2850	3000	3050	2930	2930
	Gross Combined Mass ¹ (GCM) (kg)	5200	5250	5650	5650	5650	5650	5650
TOWING CAPACITY⁴	With trailer brakes (kg) – manual / automatic	2500 / 2500	2500 / 2500	2800 / -	- / 2800	2800 / 2800	2800 / 2800	- / 2800
	Without trailer brakes (kg)	750	750	750	750	750	750	750
SEATING	Capacity	2	5	2	4	5	5	5
FUEL TANK	Capacity (L)	80	80	80	80	80	80	80
STEERING	Steering Gear Type	Rack and Pinion						
BRAKE SYSTEM	System	Vacuum boosted hydraulic system						
	Front / Rear	Ventilated disc brake with floating single piston caliper / Leading-trailing drum brake		Ventilated disc brake with opposed 4-piston caliper / Leading-trailing drum brake				
SUSPENSION	Front / Rear	Double wishbone / Leaf spring rigid axle						
WHEELS AND TYRES	Wheels	16 x 6J	16 x 6J	17 x 7.5J	17 x 7.5J	17 x 7.5J	17 x 7.5J	18 x 7.5J
	Tyres	215 / 65R16C 106 / 104S	215 / 65R16C 106 / 104S	265 / 65R17 112S	265 / 65R17 112S	265 / 65R17 112S	265 / 65R17 112S	265 / 65R17 112S

HILUX – 4X2 AND HI-RIDER		WorkMate		SR		SR5
		Single-Cab	Double-Cab	Extra-Cab	Double-Cab	Double-Cab
BODY TYPE		Single-Cab	Double-Cab	Extra-Cab	Double-Cab	Double-Cab
EXTERIOR	Body colour front bumper			•	•	•
	Chrome step type rear bumper					•
	Multi-reflector headlamps	•	•	•	•	•
	Front LED fog lamps					•
	Front halogen fog lamps			•	•	
	LED headlamps with auto-levelling (Low beam only)					•
	LED Daytime Running Lamps (DRLs)					•
	Halogen DRLs	•	•	•	•	
	Privacy glass					•
	Side steps (Hi-Rider only)			•	•	•
	Stainless steel sports bar					•
	Rear access door			•		

HILUX – 4X2 AND HI-RIDER		WorkMate		SR		SR5
BODY TYPE		Single-Cab	Double-Cab	Extra-Cab	Double-Cab	Double-Cab
INTERIOR	Standard fabric seat	•	•			
	Premium fabric seat			•	•	•
	Premium gear knob and steering wheel					•
	Large colour Multi Information Display (MID)	•	•	•	•	•
	Chrome interior door handles					•
	Durable vinyl floor covering	•	•	•	•	
	Floor carpet					•
	Front air conditioned cooler box			•	•	•
SEATING	Driver's bucket seat (Basic)	•	•			
	Driver's bucket seat (High grade)			•	•	•
	60/40 split rear seat				•	•
	Front passengers bucket seat (Basic)	•	•			
	Front passengers bucket seat (High grade)			•	•	•
FEATURES	Manual air conditioning	•	•	•	•	
	Climate control air conditioning					•
	Rear air vents					•
	Power front windows	•	•	•	•	•
	Power rear windows	N/A	•	N/A	•	•
	Driver's automatic up/down window	•	•	•	•	•
	Smart entry and start system					•
	Heavy duty suspension and underbody package (Hi-Rider only)	•	•	•	•	•
	220V accessory socket					•
	Toyota Link ⁵			•	•	•
INSTRUMENTS AND CONTROLS	Power steering	•	•	•	•	•
	Drive Mode (Not available on Single-Cab WorkMate m/t)	•	•	•	•	•
	Manual tilt steering column	•	•	•	•	•
	Telescopic steering column		•	•	•	•
	Cruise control	•	•	•	•	•
	Steering wheel switches with telephone and voice recognition			•	•	•
	Steering wheel mounted audio controls	•	•	•	•	•
	Power mirrors	•	•	•	•	•
	Power accessory socket	1	1	1	1	2
	Variable intermittent windscreen wipers			•	•	•
	Automatic transmission shift interlock	•	•	•	•	•
	Headlamps automatic on/off	•	•	•	•	•
	Trip meter	•	•	•	•	•
	LIGHTING	Illuminated ignition switch	•	•	•	•
Front personal lamp		•	•	•	•	•
STORAGE	Large glove box	•	•	•	•	•
	Front cup holder/s – in dash	•	•	•	•	•
	Rear cup holders – in arm rest				•	•
	Front door pockets	•	•	•	•	•
	Centre console box with lid	Auto Only	•	•	•	•

HILUX – 4X2 AND HI-RIDER		WorkMate		SR		SR5
BODY TYPE		Single-Cab	Double-Cab	Extra-Cab	Double-Cab	Double-Cab
AUDIO	6.1" colour touchscreen display with CD player and AM/FM tuner	.	.			
	7" colour touchscreen display with CD player and AM/FM tuner			.	.	.
	Satellite navigation ⁶ and DAB+ digital radio ⁶					.
	3.5" AUX input for portable audio players ⁷
	USB input for some iPod [®] /USB memory sticks ⁷
	Bluetooth ^{®9} connectivity
	Number of speakers	2	2	4	6	6
	Roof mounted antenna
SAFETY	Toyota Safety Sense – Including Lane Departure Alert, Pre-Collision Safety system with pedestrian and daylight cyclist detection, Road Sign Assist, and Active Cruise Control (High-speed)
	Anti-lock Braking System (ABS)
	Vehicle Stability Control (VSC)
	Traction Control (TRC)
	Electronic Brake-force Distribution (EBD)
	Brake Assist (BA)
	Reversing camera (Pick-Up only)	
	Hill-start Assist Control
	Emergency Stop Signal (ESS)
	Driver and front passenger SRS airbags
	Seat mounted driver and front passenger side SRS airbags
	Driver and front passenger seatbelt warning buzzer
	Driver and front passenger pre-tensioner seatbelt
	3-point seatbelt for rear outer seating positions	N/A
	3-point seatbelt for rear centre position	N/A	.	N/A	.	.
	Door ajar warning light
	Front door anti-intrusion beams
	Collapsible steering column
	Engine immobiliser
	SECURITY	Alarm				
Power door locks	
Remote keyless entry	
Lockable glove box	

- Weights/mass/volumes/dimensions are approximate and subject to individual vehicle variances, and should be confirmed before fitting any accessories, towing or otherwise relying on this value.
- Power and torque test standards differ. Ensure comparisons use same test standard.
- Achieved in test conditions for comparison purposes only. Actual fuel consumption varies depending on driving conditions/style, vehicle condition, load and options/accessories fitted. Source: ADR81/02 combined.
- Towing capacity subject to regulatory requirements, tow bar and vehicle design and towing equipment limitations. Ask your dealer for Toyota Genuine tow bar capacity and availability details.

- Requires installation of a compatible app, third party information, sufficient mobile data & GPS signal. Mobile usage is at user's cost. Toyota Australia reserves the right to add, remove or modify applications. For further information see toyota.com.au/toyotalink
- Coverage varies based on vehicle location.
- Compatibility and functionality varies depending on device.
- iPod[®] is a trademark of Apple, Inc. registered in the U.S. and other countries.
- Bluetooth[®] is a registered trademark of Bluetooth SIG, Inc. Compatibility and functionality varies depending on device.

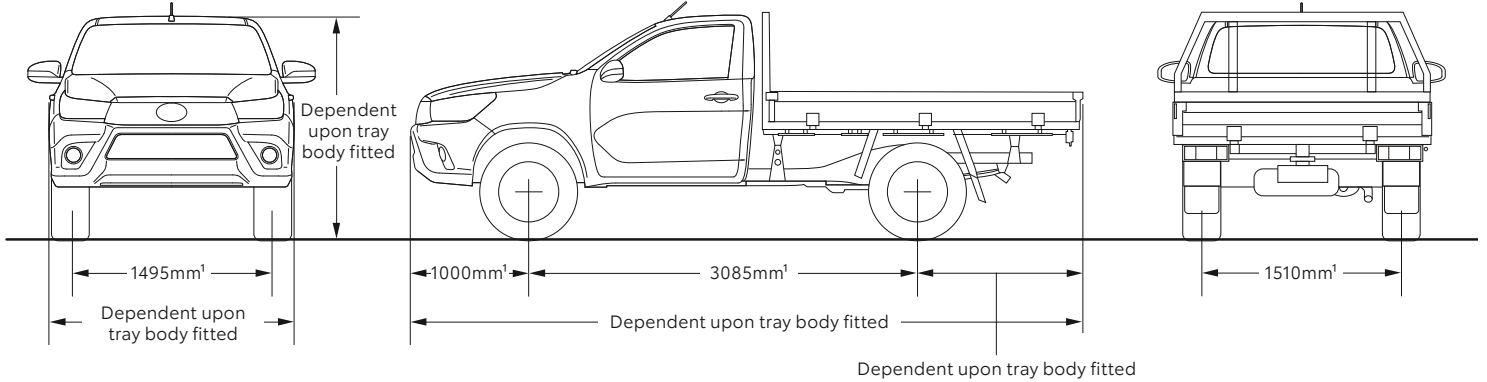
IMPORTANT NOTICE – PLEASE READ: Toyota Australia uses its best endeavours to ensure material is correct when published. Check with your authorised Toyota Dealer when ordering to ensure the vehicle with your chosen specifications, equipment and colour is available and can be delivered within the timeframe suitable to you. Certain accessories when fitted will require the removal of standard equipment, which may be retained by Toyota Australia or your Toyota Dealer. Toyota Australia reserves the right to change, without notice, prices, colours, materials, equipment, and specifications and discontinue colours/models. To the extent permitted by law, Toyota

Australia will not be liable for any damage, loss or expense incurred as a result of reliance on this material in any way. Distributed nationally (other than in Western Australia) by Toyota Motor Corporation Australia Limited ABN 64 009 686 097, 155 Bertie St, Port Melbourne 3207. Material distributed in Western Australia by or on behalf of Prestige Motors Pty Ltd (for vehicles) and by Eastpoint Pty Ltd (for parts/accessories). Toyota Australia makes no warranties regarding (and will not be liable for) accuracy of materials distributed in Western Australia. PROOF HQ: T2019-012510. GTO2030. VERSION: JULY 2019.

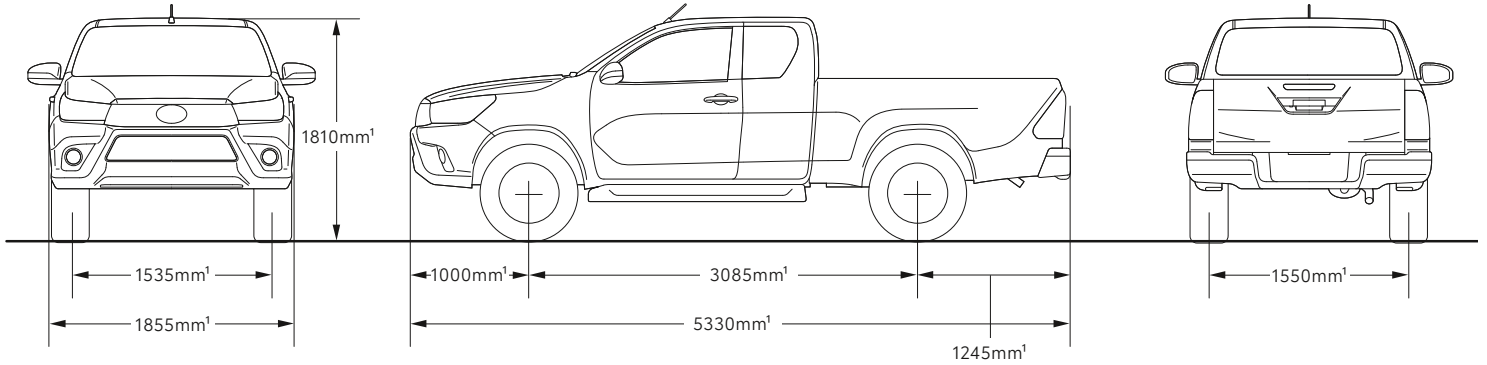
HiLux 4x4



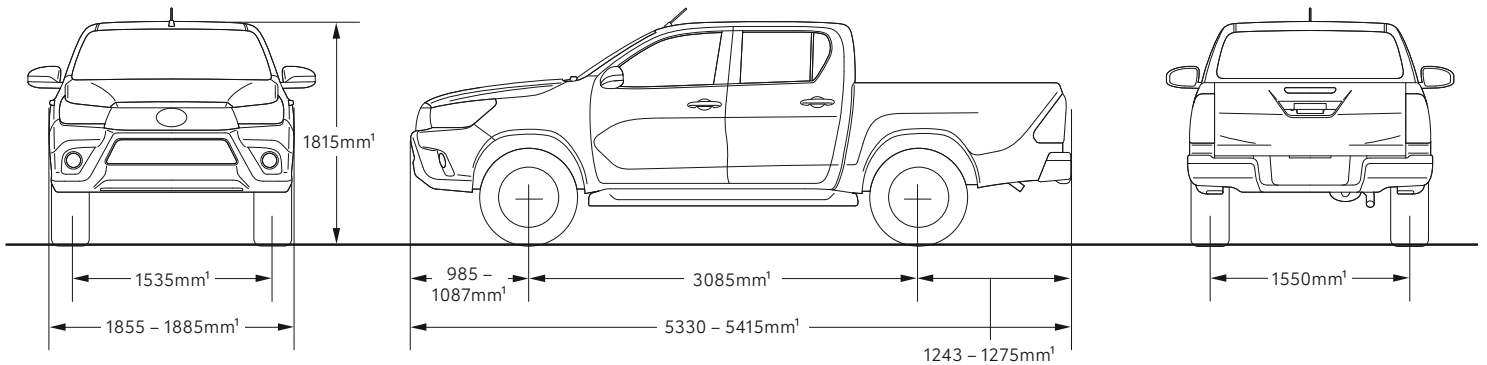
Single-Cab Cab-Chassis



Extra-Cab Pick-Up – Cab-Chassis available on selected models. See table for applicability and dimensions.



Double-Cab Pick-Up – Cab-Chassis available on selected models. See table for applicability and dimensions.



HILUX – 4X4		2.4L turbo diesel		2.8L turbo diesel	
ENGINE	Engine Code	2GD-FTV		1GD-FTV	
	Displacement (cm ³)	2393		2755	
	Maximum Power (kW/rpm)	110@3400		130@3400	
	Maximum Torque (Nm/rpm)	400@1600-2000		420@1400-2600 M/T, 450@1600-2400 A/T	
	Valve train	16-valve DOHC		16-valve DOHC	
	Fuel system	Fuel injection with common rail		Fuel injection with common rail	
	Fuel capacity (L)	80		80	
	Bore X Stroke (mm)	92.0 x 90.0		92.0 x 103.6	
	Compression ratio	15.6:1		15.6:1	
TRANSMISSION	Type	Manual	Automatic	Manual	Automatic
	Number of ratios	6-speed	6-speed	6-speed	6-speed
	Ratios (:1)	1st 4.784; 2nd 2.423; 3rd 1.443; 4th 1.000; 5th 0.777; 6th 0.643; Rev 4.066	1st 3.600; 2nd 2.090; 3rd 1.488; 4th 1.000; 5th 0.687; 6th 0.580; Rev 3.732	1st 4.784; 2nd 2.423; 3rd 1.443; 4th 1.000; 5th 0.826; 6th 0.643; Rev: 4.066	1st 3.600; 2nd 2.090; 3rd 1.488; 4th 1.000; 5th 0.687; 6th 0.580; Rev 3.732
	Differential ratio (rear) (:1)	3.583	4.100	3.583	3.909

HILUX – 4X4

4x4

BODY TYPE		Single-Cab		Extra-Cab			Double-Cab								
GRADE		WorkMate	SR	WorkMate	SR	SR5	WorkMate		SR		SR5	Rogue	Rugged	Rugged X	
ENGINE		Turbo diesel	Turbo diesel	Turbo diesel	Turbo diesel	Turbo diesel	Turbo diesel	Turbo diesel	Turbo diesel	Turbo diesel	Turbo diesel	Turbo diesel	Turbo diesel	Turbo diesel	
TRAY TYPE		Cab-Chassis	Cab-Chassis	Cab-Chassis	Cab-Chassis	Pick-Up	Cab-Chassis	Pick-Up	Cab-Chassis	Pick-Up	Pick-Up	Pick-Up	Pick-Up	Pick-Up	
MECHANICAL	Fuel economy ³ (combined) (L/100km)- manual / automatic	7.8 / -	8.1 / 9.0	- / 8.6	8.1 / 9.0	- / 8.4	- / 8.6	7.4 / 8.3	8.1 / 9.0	7.7 / 8.4	7.7 / 8.4	- / 8.4	7.8 / 8.5	7.8 / 8.5	
	Diesel particulate filter (forced burn off) switch	•	•	•	•	•	•	•	•	•	•	•	•	•	
	2.4L turbo diesel	•		•				•	•						
	2.8L turbo diesel		•		•	•			•	•	•	•	•	•	
	6-speed manual transmission	•	•		•				•	•	•		•		
	6-speed automatic transmission		•	•	•	•	•	•	•	•	•	•	•	•	
	6-speed intelligent Manual Transmission (i-MT)										•			•	
APPROXIMATE DIMENSIONS	Length / Width / Height ¹ (mm)	- / - / 1795	- / - / 1795	- / - / 1810	- / - / 1810	5330 / 1855 / 1810	- / - / 1815	5330 / 1855 / 1815	- / - / 1815	5330 / 1855 / 1815	5330 / 1855 / 1815	5345 / 1855 / 1815	5415 / 1885 / 1815	5350 / 1885 / 1815	
	Wheelbase ¹ (mm)	3085	3085	3085	3085	3085	3085	3085	3085	3085	3085	3085	3085	3085	
	Track – front / rear ¹ (mm)	1495 / 1510	1495 / 1510	1535 / 1550	1535 / 1550	1535 / 1550	1535 / 1550	1535 / 1550	1535 / 1550	1535 / 1550	1535 / 1550	1535 / 1550	1535 / 1550	1535 / 1550	
	Overhang – front / rear ¹ (mm)	1000 / -	1000 / -	1000 / -	1000 / -	1000 / 1245	1000 / -	1000 / 1245	1000 / -	1000 / 1245	1000 / 1245	985 / 1275	1087 / 1243	1022 / 1243	
WEIGHT (approximate)	Kerb weight manual ¹ (kg)	1775	1795		1890			2045	1955	2050 (With alloy wheel option 2035)	2040		2235	2252	
	Kerb weight automatic ¹ (kg)		1795	1890	1895	2045	1915	2045	1955	2045 (With alloy wheel option 2035)	2045	2174	2235	2252	
	Gross Vehicle Mass ¹ (GVM) (kg)	3000	3000	3000	3050	3050	3000	3000	3000	3000	3000	3000	3000	3000	
	Gross Combined Mass ¹ (GCM) (kg)	5850 (MT)	5850 (MT) / 5650 (AT)	5650 (AT)	5850 (MT) / 5650 (AT)	5650 (AT)	5650 (AT)	5850 (MT) / 5650 (AT)	5850 (MT) / 5650 (AT)	5850 (MT) / 5650 (AT)	5850 (MT) / 5650 (AT)	5650 (AT)	5850 (MT) / 5650 (AT)	5850 (MT) / 5650 (AT)	
TOWING CAPACITY⁴	With trailer brakes (kg) – manual / automatic	3200 / -	3500 / 3200	- / 3000	3500 / 3200	- / 3200	- / 3000	3200 / 3000	3500 / 3200	3500 / 3200	3500 / 3200	- / 3200	3500 / 3200	3500 / 3200	
	Without trailer brakes (kg)	750	750	750	750	750	750	750	750	750	750	750	750	750	
SEATING	Capacity	2	2	4	4	4	5	5	5	5	5	5	5	5	
STEERING	Steering Gear Type	Rack and Pinion													
BRAKES	System	Vacuum boosted hydraulic system													
	Front / Rear	Ventilated disc brake with opposed 4-piston caliper / Leading-trailing drum brake													
SUSPENSION	Front / Rear	Double wishbone / Leaf spring rigid axle													
WHEELS AND TYRES	Wheels	17 x 6J	17 x 6J	17 x 7.5J	17 x 7.5J	18 x 7.5J	17 x 7.5J	17 x 7.5J	17 x 7.5J	17 x 7.5J	17 x 7.5J	18 x 7.5J	18 x 7.5J	17 x 7.5J	17 x 7.5J
	Tyres	225 / 70 R17C 108 / 106S	225 / 70 R17C 108 / 106S	265 / 65 R17 112S	265 / 65 R17 112S	265 / 60 R18 110H	265 / 65 R17 112S	265 / 65 R17 112S	265 / 65 R17 112S	265 / 65 R17 112S	265 / 65 R17 112S	265 / 65 R17 112S	265 / 60 R18 110H	265 / 60 R18 110H	265 / 65 R17 112S

GRADE		WorkMate			SR			SR5		Rogue	Rugged	Rugged X	
BODY TYPE		Single-Cab	Extra-Cab	Double-Cab	Single-Cab	Extra-Cab	Double-Cab	Extra-Cab	Double-Cab	Double-Cab	Double-Cab	Double-Cab	
EXTERIOR	Body colour front bumper				•	•	•	•	•	•			
	Chrome step type rear bumper							•	•				
	Multi-reflector headlamps	•	•	•	•	•	•	•	•	•	•	•	
	Front LED fog lamps							•	•	•			
	Front halogen fog lamps					•	•						
	LED headlamps with auto-levelling (Low beam only)							•	•	•		•	
	LED Daytime Running Lamps (DRLs)							•	•	•		•	
	Halogen DRLs	•	•	•	•	•	•					•	
	LED light bar											•	
	Spread beam driving lights											•	
	Privacy glass							•	•	•		•	
	Chrome door handles							•	•				
	Side steps				•	•	•	•	•	•			
	Stainless steel sports bar							•	•				
	Rear access door		•			•		•					
	Body side mouldings											•	•
	Wheel arch mouldings											•	•
	Rock rails											•	•
	Black functional sports bar with recreational attachment points										•	•	•
	Heavy duty rear bumper											•	•
	Rear bumper cover										•		
	Marine grade carpet tub liner										•		
	Hard tonneau cover with dust defence kit										•		
	Hoopless steel front bullbar with bash plate (winch compatible)												•
	Premium steel bullbar												•
	Recovery points ⁵ – front												•
	Recovery points ⁵ – rear											•	•
	Black tailgate handle										•	•	•
	Gloss black door handles										•		•
	Tail lamp garnish												•
	Tube tray with tailgate protection											•	•
	Gloss black mirror scalps										•		•
Snorkel											•	•	
Tow bar								•	•	•	•	•	
Tow ball and tongue										•	•	•	
Trailer wiring harness (7 pin flat)										•	•	•	
INTERIOR	Standard fabric seat	•	•	•									
	Premium fabric seat				•	•	•	•	•		•		
	Leather accented interior (perforated)									•		•	
	Premium gear lever and steering wheel							•	•	•		•	
	Large colour Multi Information Display (MID)							•	•	•		•	
	Durable vinyl floor covering	•	•	•	•	•	•				•		
	Floor carpet							•	•	•		•	
	All-weather floor mats – front and rear										•	•	
	Carpet floor mats – front and rear									•			
	Front air conditioned cooler box				•	•	•	•	•	•	•	•	
	Gloss black door trim									•		•	

HILUX – 4X4

4x4

GRADE		WorkMate			SR			SR5		Rogue	Rugged	Rugged X
BODY TYPE		Single-Cab	Extra-Cab	Double-Cab	Single-Cab	Extra-Cab	Double-Cab	Extra-Cab	Double-Cab	Double-Cab	Double-Cab	Double-Cab
AUDIO	6.1" colour touchscreen display with CD player and AM/FM tuner	•	•	•								
	7" colour touchscreen display with CD player and AM/FM tuner				•	•	•	•	•	•	•	•
	Satellite navigation ⁷ and DAB+ digital radio ⁷						Optional Pick-Up only	•	•	•	•	•
	3.5" AUX input for portable audio players ⁸	•	•	•	•	•	•	•	•	•	•	•
	USB input for some iPod ⁹ /USB memory sticks ⁸	•	•	•	•	•	•	•	•	•	•	•
	Bluetooth ¹⁰ connectivity	•	•	•	•	•	•	•	•	•	•	•
	Number of speakers	2	2	2	2	4	6	4	6	6	6	6
	Roof mounted antenna	•	•	•	•	•	•	•	•	•	•	•
SAFETY	Toyota Safety Sense – Including Lane Departure Alert, Pre-Collision Safety system with pedestrian and daylight cyclist detection, Road Sign Assist, and Active Cruise Control (High-speed)	•	•	•	•	•	•	•	•	•	•	•
	Anti-lock Braking System (ABS)	•	•	•	•	•	•	•	•	•	•	•
	Vehicle Stability Control (VSC)	•	•	•	•	•	•	•	•	•	•	•
	Traction Control (TRC)	•	•	•	•	•	•	•	•	•	•	•
	Electronic Brake-force Distribution (EBD)	•	•	•	•	•	•	•	•	•	•	•
	Brake Assist (BA)	•	•	•	•	•	•	•	•	•	•	•
	Reversing camera (Pick-Up only)			•			•	•	•	•	•	•
	Hill-start Assist Control	•	•	•	•	•	•	•	•	•	•	•
	Downhill Assist Control (Pick-Up only)						Auto Only	•	•	•	Auto Only	•
	Emergency Stop Signal (ESS)	•	•	•	•	•	•	•	•	•	•	•
	Driver and front passenger SRS airbags	•	•	•	•	•	•	•	•	•	•	•
	Seat mounted driver and front passenger side SRS airbags	•	•	•	•	•	•	•	•	•	•	•
	Driver and front passenger seatbelt warning buzzer	•	•	•	•	•	•	•	•	•	•	•
	Driver and front passenger pre-tensioner seatbelt	•	•	•	•	•	•	•	•	•	•	•
	3-point seatbelt for rear outer seating positions	N/A	•	•	N/A	•	•	•	•	•	•	•
	3-point seatbelt for rear centre position	N/A	N/A	•	N/A	N/A	•	N/A	•	•	•	•
	Door ajar warning light	•	•	•	•	•	•	•	•	•	•	•
	Front door anti-intrusion beams	•	•	•	•	•	•	•	•	•	•	•
	Collapsible steering column	•	•	•	•	•	•	•	•	•	•	•
Rear differential lock				•	•	•	•	•	•	•	•	
Engine immobiliser	•	•	•	•	•	•	•	•	•	•	•	
SECURITY	Alarm							•	•	•	•	•
	Power door locks	•	•	•	•	•	•	•	•	•	•	•
	Remote keyless entry	•	•	•	•	•	•	•	•	•	•	•
	Lockable glove box	•	•	•	•	•	•	•	•	•	•	•

1 Weights/mass/volumes/dimensions are approximate and subject to individual vehicle variances, and should be confirmed before fitting any accessories, towing or otherwise relying on this value.
 2 Power and torque test standards differ. Ensure comparisons use same test standard.
 3 Achieved in test conditions for comparison purposes only. Actual fuel consumption varies depending on driving conditions/style, vehicle condition, load and options/accessories fitted. Source: ADR81/02 combined.
 4 Towing capacity subject to regulatory requirements, tow bar and vehicle design and towing equipment limitations. Ask your dealer for Toyota Genuine tow bar capacity and availability details.
 5 Use of recovery points has safety risks which must be assessed and managed before every recovery operation. Incorrect use of the recovery points may result in death, serious injury or

vehicle damage. Always following warnings and instructions provided on the vehicle and in the Owner's Manual.
 6 Requires installation of a compatible app, third party information, sufficient mobile data & GPS signal. Mobile usage is at user's cost. Toyota Australia reserves the right to add, remove or modify applications. For further information see toyota.com.au/toyotalink
 7 Coverage varies based on vehicle location.
 8 Compatibility and functionality varies depending on device.
 9 iPod® is a trademark of Apple, Inc. registered in the U.S. and other countries.
 10 Bluetooth® is a registered trademark of Bluetooth SIG, Inc. Compatibility and functionality varies depending on device.

IMPORTANT NOTICE – PLEASE READ: Toyota Australia uses its best endeavours to ensure material is correct when published. Check with your authorised Toyota Dealer when ordering to ensure the vehicle with your chosen specifications, equipment and colour is available and can be delivered within the timeframe suitable to you. Certain accessories when fitted will require the removal of standard equipment, which may be retained by Toyota Australia or your Toyota Dealer. Toyota Australia reserves the right to change, without notice, prices, colours, materials, equipment, and specifications and discontinue colours/models. To the extent permitted by law, Toyota

Australia will not be liable for any damage, loss or expense incurred as a result of reliance on this material in any way. Distributed nationally (other than in Western Australia) by Toyota Motor Corporation Australia Limited ABN 64 009 686 097, 155 Bertie St, Port Melbourne 3207. Material distributed in Western Australia by or on behalf of Prestige Motors Pty Ltd (for vehicles) and by Eastpoint Pty Ltd (for parts/accessories). Toyota Australia makes no warranties regarding (and will not be liable for) accuracy of materials distributed in Western Australia. PROOF HQ: T2019-012510. GTO2030. VERSION: JULY 2019.