

# EX4/EX6 CHILLER PANTECH



\*MWB model illustrated

## KEY FEATURES

- Driver's Suspension Seat
- Smart Key Entry with Security System
- Four Wheel Disc Brakes
- Vehicle Dynamic Control (VDC)
- High Power Assist Brake (HAB)
- Easy Hill Start (EHS)
- Cruise Control

## KEY SPECIFICATIONS

(EX4) GVM	4,500kg	GCM 8,000kg
(EX6) GVM	6,500kg	GCM 10,000kg
Wheelbase	MWB 3,400mm	
Engine	3.9L, Diesel Turbo Euro 5	
Pantech Size	4,200L x 2,390W x 1,900H	
Max Power	103KW (140HP) / 2,700RPM	
Max Torque	392NM / 1,400 RPM	

**"READY BUILT, READY TO WORK"**



**HYUNDAI**  
Commercial Vehicles

# ENGINE & DRIVELINE

## ● ENGINE EURO 5 COMPLIANT

<b>Engine</b>	4 Cylinder 16 valve SOHC
<b>Displacement</b>	3,933cc
<b>Max Power</b>	103KW (140HP) @ 2,700 RPM
<b>Max Torque</b>	392Nm / 1,400rpm
<b>Turbocharger</b>	Intercooler Turbo Charger
<b>Compression Ratio</b>	17.0 : 1
<b>Bore x Stroke</b>	103mm x 118mm
<b>Injection System</b>	Denso Common Rail System
<b>Emission Control System</b>	Cooled EGR Particulate Matter Catalyst

## ● PERFORMANCE

PERFORMANCE (Calculated)	STANDARD CAB MEDIUM
<b>Speed at Max. Engine Speed</b>	132KPH
<b>Grade Ability at Rated GVM</b>	53.5%
<b>Grade Ability at Rated GCM</b>	29.7%
<b>Min Turning Cycle (m)</b>	12.6

## ● TRANSMISSION (MO35S5)

<b>Type</b>	5 speed manual Synchronesh on gear 1~5
<b>Gear Ratio</b>	1 <sup>st</sup> 5.380 2 <sup>nd</sup> 3.028 3 <sup>rd</sup> 1.700 4 <sup>th</sup> 1.000 5 <sup>th</sup> 0.722 Rev 5.380
<b>PTO Opening</b>	PTO provision on LHS of transmission case

## ● AXLES

<b>Front</b>	<b>Type</b>	Reverse Elliot I-Beam
	<b>Capacity</b>	2,760 kg
<b>Rear</b>	<b>Type</b>	Full Floating Type
	<b>Capacity</b>	4,700kg
<b>Final Drive Ratio</b>		4.625 : 1

## ● SAFETY FEATURES

- Vehicle Dynamic Control (VDC)	- Electronic Stability Control (ESC)
- High Power Assist Brake (HAB)	- Anti-lock Braking System (ABS)
- Easy Hill Start (EHS)	- Traction Control System (TCS)
- Engine Drag Control (EDC)	- Electronic Brake Force Distribution (EBS)
- Dual Airbags	- Daytime Running Lamps

## ● BRAKES

<b>Disc Diameter</b>	<b>Front</b>	330 mm
	<b>Rear</b>	330 mm
- 4 Wheel Disc with VDC		- Disc Pad Wear Indicator
- Requires 20.7m to a full stop from 60 km/h		
<b>Service Brake</b>		Hydraulic with vacuum servo assistance dual circuit
<b>Exhaust Brake</b>		Vacuum operated, butterfly valve type
<b>Parking Brake</b>		Internal expanding type on propeller shaft at rear of transmission

## ● ELECTRICAL

<b>Type</b>	24V electrical system
<b>Batteries</b>	2 x MF90AH maintenance free batteries connected in line
<b>Alternator</b>	24V, 55Amp
<b>Starter Capacity</b>	50KW Starter Motor
<b>12V Power Outlet</b>	12V maximum, 36W

## ● CLUTCH

<b>Type</b>	Hydraulic control, diaphragm spring single dry plate and pre-damper
<b>Disc Diameter</b>	300 mm

## ● PROPELLER SHAFT (DS300)

<b>TYPE</b>	Tubular, forged steel ends without centre bearing
-------------	---

## ● WHEELS AND TYRES

<b>Wheels Type</b>	Single Front, dual rear 17.5 x 5.25, 6 Stud
<b>Tyre Size</b>	205/75R 17.5 Front x 2 205/75R 17.5 Rear x 4
<b>Tyre Rating</b>	Steer 1,450kg x 2 Drive 1,400kg x 4
<b>Spare Wheel Tyre</b>	1 Mounted

# CAB & CHASSIS EQUIPMENT

## ● CAB INTERIOR

<b>Driver's Seat</b>	Ergonomic adjustable suspension seat
<b>Passenger Seats</b>	Two seat capacity, independently adjustable seats with a storage console
<b>Seat Headrest</b>	Height adjustable headrest 's
<b>Steering Wheel</b>	Tilt & telescopic adjustable steering wheel column, audio controls with hands free
<b>Cruise Control</b>	Auto integrated - Steering Wheel Mounted
<b>Interior Finish</b>	Fully cloth, padded roof lining and all weather PVC flooring covering
<b>Air Conditioning</b>	Fully integrated with heater and defrost modes, 4 speed fan
<b>Audio</b>	System supports Bluetooth, USB, CD player, Radio, MP3 and AUX
<b>Windows</b>	Electric operated
<b>Power outlets</b>	1 x 12v, 1 x 24V
<b>Keyless Entry</b>	With control door locking and Anti-theft Smart Key
<b>Interior Lamps</b>	2 x 10Watt & 1 x 30Watt
<b>SIWS</b>	Service Indicator Warning System
<b>Sun Visors</b>	Driver's and passenger's
<b>Grips</b>	Door and side pillar entry assist grips

## ● CAB EXTERIOR

<b>Cab Mounting</b>	Semi-floating
<b>Windshield</b>	One piece laminated
<b>Windscreen Wipers</b>	Dual electric 3 speed with washer
<b>Side Glass</b>	With inbuilt UV ray protection
<b>Side Mirrors</b>	Heated main vision mirrors
<b>Headlights</b>	Vertical styled with turn signals
<b>Fog Lamps</b>	Projection type with daytime running lights
<b>Reverse Alarm</b>	Standard feature
<b>Reversing Camera</b>	Screen mounted 7" LCD Colour Display

## ● CHASSIS FRAME

<b>Type</b>	H frame with channel sectional side rail & Cross Members
<b>Side Rail</b>	Reinforced with outer stiffeners. Main section side rail dimensions: 183mm x 60mm x 6.0mm

## ● SUSPENSION

<b>Front</b>	<b>Type</b>	Semi-elliptic laminated leaf springs
	<b>Size x Leaves</b>	1200 x 70 x 10t-4, 11t-1
	<b>Shock Absorber</b>	Gas filled telescopic type
<b>Rear</b>	<b>Type</b>	Semi-elliptic laminated leaf springs
	<b>Size x Leaves</b>	1250 x 70 x 10t-5, 11t-1
	<b>Rear Spring Helper</b>	990 x 70 x 16t-2

## ● STEERING

<b>Type</b>	4 spoke ball and nut type with telescopic steering column	
<b>Maximum Angle</b>	<b>Inside Wheel</b>	44.5°
	<b>Outside Wheel</b>	32.0°

## ● FUEL TANK

<b>Type</b>	Frame mounted steel with a lockable fuel cap
<b>Capacity</b>	100L

## ● CHILLER UNIT: Thermal Master 2500

<b>Temperature Range</b>	0 - 4°C
<b>Defrost</b>	Automatic & manual hot gas defrost
<b>Compressor</b>	TM 16 or Equivalent
<b>Condenser</b>	Aluminum fin & Copper tubes
<b>Evaporator</b>	Aluminum fin & Copper tubes
<b>Voltage</b>	12 / 24 volts

# DIMENSIONS & WEIGHTS

## ● DIMENSIONS (MM)

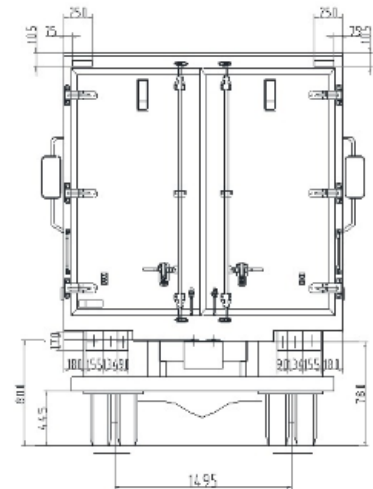
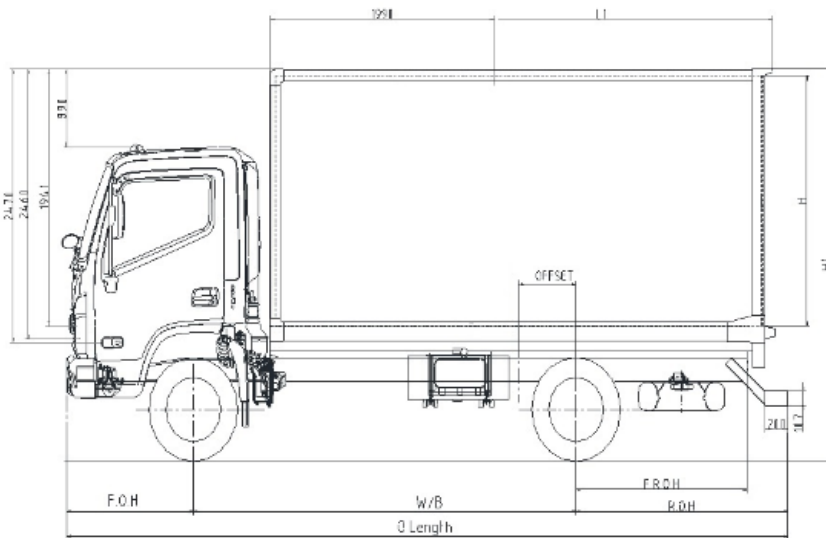
DIMENSIONS (MM)	STANDARD CAB MEDIUM
Wheelbase	3,400
Overall Length	6,110
Overall Width	2,028
Overall Height	2,295
Front Overhang	1,125
Rear Overhang	1,585
Front Track	1,680
Outside Rear Track	1,575
Rear Frame Width	753
Cab to Axle	2,810
Cab to End of Frame	4,340

## ● WEIGHTS (KG) – Cab Chassis only

WEIGHTS (KG)	STANDARD CAB MEDIUM
Gross Vehicle Mass(EX4/6)	4,500 / 6,500
Gross Combination Mass(EX4/6)	8,000 / 10,000
Front Loading Limit(EX4/6)	1,840 / 2,400
Rear Loading Limit(EX4/6)	2,660 / 4,100
Total CAB Chassis Mass	2,635
Front CAB Chassis Mass	1,775
Rear CAB Chassis Mass	860

## ● PANTECH SPECIFICATIONS

Factory Pantech	Standard Cab Medium
Dimensions (Internal)	4,200 (L) x 2,390 (W) x 1,900 (H)
Floor Type	Checker Plate
Load Restraint System	E-Track Belt (Optional)
Rear Door/s	Barn Door Type (2)
Rear Step	Wide Aluminum
Entry Assistance	Grab Handles (Left Side & Right Side)



You're never alone on the road in a Hyundai EX series truck. When you're covered by Hyundai's 24/7 nationwide truck roadside assist, you'll never find yourself stranded

**24/7 TRUCK  
ROADSIDE  
ASSISTANCE**

Wherever you and your load go in a Hyundai EX Series truck, the roads are paved with the peace-of-mind Australia's best-in-class 3-year 200,000km warranty.

**3YEAR  
200,000km  
WARRANTY**

Hyundai Commercial Vehicles Australia (HCVA) 376 Edgar Street, Bankstown NSW 2200

Hyundai Commercial Vehicles Australia (HCVA) reserves the right to alter vehicle specifications and equipment levels without notice. Some equipment featured on the vehicle in this brochure may not be available in Australia or may be optional to the extent permitted by the law. HCVA shall not be liable to any person as a result of reliance on the content of this brochure.

Please consult your Hyundai Commercial Vehicle Dealer for the latest specifications, equipment levels, options, prices, colours and vehicle availability. Metallic Paint is an optional extra. Note: Information in this brochure is current as at 01/07/2018