

HINO

700 Series

SH 2045 AMT AIR 3480



* Illustration may contain item not standard to the model

KEY FEATURES

Automated Manual Transmission (AMT) with Intarder
 4 Bag Air Rear Suspension
 Jacob Type Engine Brake
 Heated & Electrically Operated External Mirrors
 Cruise Control
 HID Headlamps
 ISRI 6860/870 Drivers Seat with Integrated Safety Belt
 Drivers SRS Airbag
 ECE R29 Cab Strength Compliance
 4-Wheel Disc Brakes with Electronic Brake System (EBS)
 Vehicle Stability Control (VSC)
 Differential lock

4 x 2 Prime Mover Cab Chassis

KEY SPECIFICATIONS

GVM	16,000kg
GCM	42,000kg
Power	331kW
Torque	2157Nm
Transmission	AMT ZF TraXon
Wheelbase	3,480mm

ENGINE

Model	Hino E13C VF
Max. output (ISO NET)	331kW (450 HP) at 1,800rpm
Max. torque (ISO NET)	2157Nm at 1,100rpm
Max. engine speed	1,900rpm
Engine compliance	ADR 80/03
Type	Diesel, turbo charged & inter-cooled, 6 cylinder in-line, overhead camshaft
Combustion system	Direct injection type with Cooled-EGR
Bore & stroke	137 x 146mm
Piston displacement	12.913L
Compression ratio	17.0:1
Engine oil capacity	37.0L
Fuel injection pump	Electronic control common rail
Air cleaner	Dual paper elements
Air compressor	Single cylinder, water cooled
Compressor bore & stroke	95 x 70mm
Exhaust	Horizontal outlet with SCR
Emission Control System	EGR & SCR (AdBlue®) meeting ADR 80/03 using Euro 5 STD

CLUTCH

Model	CS-430 Series
Type	Single plate with damper springs
Control	Automated & Auto adjusting
Facing material	Organic
Facing diameter	430mm

TRANSMISSION

Make and Model	ZF TraXon			
Code	ZF 16 TX2441T0			
Type	Automated manual (AMT)			
Gears	16 forward and 2 reverse			
Control	Electronic			
Gear Ratios	1	14.68	12	1.78
	2	12.05	13	1.49
	3	9.92	14	1.22
	4	8.14	15	1.00
	5	6.78	16	0.82
	6	5.56	Rev 1	14.14
	7	4.57	Rev 2	11.60
	8	3.75		
	9	3.22		
	10	2.64		
	11	2.17		

PERFORMANCE

Calculation based on GCM with 11R22.5 drive tyres	42,000 kg
Final Drive Ratio	3.727 to 1
Engine RPM @ 100 km/h	1,594
Max theoretical speed (km/h)	119
Electronically speed limited to	100
Gradeability Tan 0 (%) @ GCM	53.5

BRAKES

Type	Electric over full air, dual circuit, disc front & rear	
Size	Front Disc	434mm
	Rear Disc	434mm
Air drier	Equipped	
Electronic Brake System (EBS)	Equipped	
Anti-lock Brake System (ABS)	Equipped	
Vehicle Stability Control (VSC)	Equipped	
Trailer brake control	Hand control on dash (plumbing at back of cab)	
Park brake	Spring brake acting on 2nd axle	
Engine brake	Engine compression brake equipped	
ZF Intarder transmission brake	Equipped	

AXLE, SUSPENSION & LOAD LIMITS

FRONT	Front Axle Model	MF781 series
	Type	Reverse Elliot I-Beam
	Suspension	Semi-elliptic taper leaf springs with shock absorbers & stabiliser
	Spring Dimensions	1700 x 90mm
	Number of Leafs	2
	Spring Rate	34.1 kgf/mm
	Axle Limit (including suspension)	7,500 kg
REAR	Tyre Limit	6,900 kg
	Rear Axle Model	SH19
	Type	Fully floating axles with single reduction Hypoid differential
	Differential Lock	Fitted
	Rear Suspension Model	Hino 4 bag air suspension
	Shock Absorbers	Fitted
	Stabiliser	Fitted
	Wabco Electric Height Control	Fitted
	Axle Limit (including suspension)	12,800 kg
	Tyre Limit	10,900 kg

WHEELS & TYRES

Wheel type	10 stud disc wheels (ISO 335 PCD)
Rim size	22.5 x 8.25- offset 165mm
Tyre size	Front: 295/80R22.5 152/148 Rear: 11R22.5 148/145
Number of tyres	7 (including spare)
Tools included	Wheelbrace and jack

FUEL TANK

Type	Square aluminium
Volume	450L
Fuel pre-filter & sedimenter	Equipped
Locking fuel cap	Equipped
Ad Blue tank capacity	56L

CAB DETAILS

Type	Forward control, all steel welded construction, full-floating air-suspension cab with electrical tilting mechanism
ECE R29 Cab strength	Compliant
Driver SRS Airbag	Equipped
Seating capacity	2
Driver's seat	ISRI 6860/870 Urethane foam pads, high-back, lumbar support, Multi adjustable, air suspended, with integrated Safety Belt
Passenger seat	Urethane foam pads, high back & reclining seat with fabric cover
Centre console	Equipped
Seat belts	3-point type on driver's & side passenger seats
External rear view mirrors	Electric and heated, 2 flat type 2 convex spotters and left side kerb view
Windshield wipers	Electric, triple-arm, with intermittent & 2 speed control
Sun visor & overhead console	Equipped
Centre overhead console	Equipped
Cigarette lighter (24 volt)	Equipped
Electrical converter	12V (harness type)
Ventilator	Forced type with 4 speed electric blower
Heater & defroster	Equipped
Air conditioner	Equipped
Sleeper berth	Single, with blackout curtains (ADR Compliant)
Multi media system	6.5" LCD, HD touch screen display with DAB+ AM/FM radio, AUX input, Bluetooth® 4.1, Android 6.0, CANBUS connection and Wi-Fi enabled
Speakers	Driver, passenger & centre
Floor mat	Vinyl mat
Front air spoiler	Equipped
Cab step	Equipped
Trim	Full trim type / side roof back
Electric power windows	Both sides
Electric door lock	Remote control keyless entry
Cab pockets	Both door sides & passenger seat
Cruise Control	Equipped
Reverse camera	Equipped

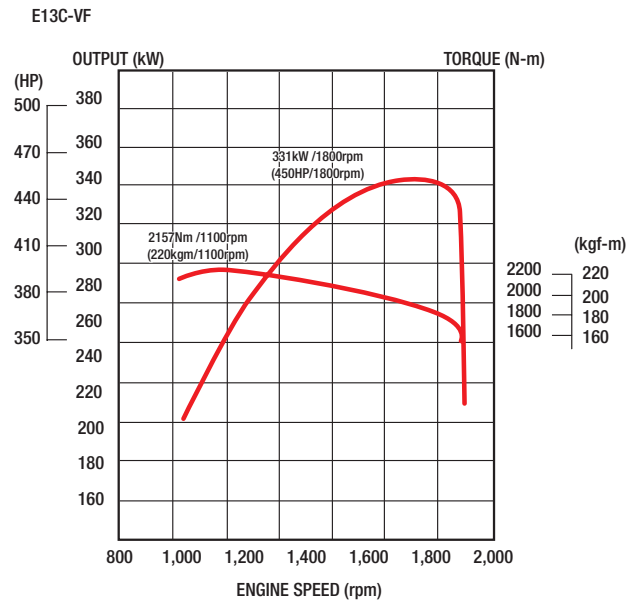
ELECTRICAL

Type	24 volts, negative earth
Batteries	12V x 2 series connection
Capacity	150Ah at 20 hour rate
Alternator	Brushless type 24V, 90A with built-in rectifier & voltage regulator
Starter	24V, 6.0kW
Lamps	High intensity discharge (HID) headlamps, fog lamps, cornering lamps, room lamp (fluorescent lamp), map lamp

STEERING

Steering column	Telescopic and tilt with locking device	
Steering box	Recirculating ball with Integral Power Steering	
Gear ratio	24.1 – 23.8 - 1	
Steering angle	Inside: 48-50°	Outside: 39°

POWER & TORQUE CHART (ISO NET) E13C VF



INSTRUMENTS

Meters and gauges	Warning, pilot lamps and buzzers
Speedometer with trip meter	Engine oil pressure warning lamp & buzzer
Odometer	Air pressure warning lamp & buzzer
Fuel gauge	High beam indicator lamp
Tachometer	Turn signal indicator lamp
Coolant temperature gauge	Parking brake indicator lamp
Air pressure gauge x 2	Coolant level warning lamp & buzzer
Switches	Differential lock indicator lamp
Lights	Engine over-run warning buzzer
Indicators & passing	Battery charging indicator lamp
Wiper & washer	Fuel filter water level warning lamp
Hazard lamp	Transmission gear display
Fog lamp	ABS, EBS & VSC warning lamps
Room lamp	Trailer brake indicator lamp
Warning lamp check	Others
Map lamp	Horn button
Differential lock	Idle up control knob
Mirror heating	
Economy running	
Cruise Control	
Engine & interarder brake	
Low speed (Slow)	

CHASSIS FRAME

Type	Ladder-shaped channel section side rails
Rear chassis width	840mm
Size	279 x 90 x 9.0mm
Tensile strength	620N/mm ² {63kgf/mm ² }
Tow hook	Equipped for front
Front Underrun Protection	Equipped

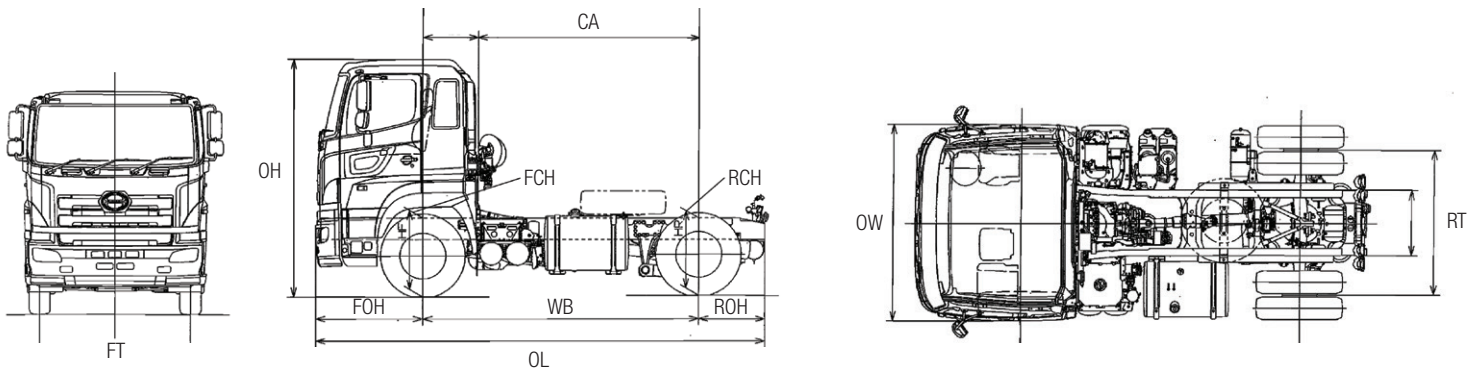
GENUINE ACCESSORY OPTIONS

Bull bar/nudge bar	Stoneguard
Chrome wheel covers	Woodgrain dash panel
Sat Nav (truck specific)	Transmission PTO
Extra vision cameras (up to 3)	DVR

Please check with your dealer for price, availability & fitment for these options

DIMENSIONS – MM / CAPACITIES

Model	SH 2045 AMT AIR 3480
Model code	SH1EELG-RRZ
Wheelbase (WB)	3,480
Overall length (OL)	5,685
Overall width (OW)	2,490
Overall height (OH)	3,005
Cab to rear axle centre (CA)	2,805
Front overhang (FOH)	1,380
Rear overhang (ROH)	835
Front chassis height (FCH)	975
Rear chassis height (RCH)	990
Front track (FT)	2,055
Rear track (RT)	1,840
Road clearance (at diff. case)	195
Turning circle (kerb to kerb)	12,400
Turning circle (wall to wall)	14,000
Chassis mass – kg (standard tools, 10 litres of fuel, spare tyre and subject to a ± 3% tolerance)	
Total	6,722
Front	4,816
Rear	1,906
GVM	16,000
GCM	42,000



WARRANTY

New vehicle warranty period

Heavy Duty Model	Axle configuration	Standard warranty (whichever comes first)	Engine component warranty (whichever comes first)	Cab corrosion perforation
700 SH 2045 AMT AIR	4 x 2	3 years or 500,000km	60 months or 750,000km	36 months

Battery warranty – 12 months from date of delivery. Engine component warranty covers, crankshaft, cylinder block and head castings.

Genuine parts or accessories warranty – 3 years unlimited kilometres when fitted by an authorised Hino dealer *

* For conditions, refer to the Hino Parts & Service warranty brochure.



DISCLAIMER

Important notice. Hino Trucks are distributed in Australia by Hino Motor Sales Australia Pty Ltd A.C.N. 064 989 724. All efforts have been made to ensure the information contained in this brochure was correct at time of printing or uploading. Hino Motor Sales Australia Pty Ltd reserves the right to alter any details of the specifications & equipment without notice. Hino in so far as it is permitted by law to do so, shall not be liable in any way as a result of any reliance placed by any person on anything contained in this brochure. You should therefore check with your authorised Hino dealer at the time of ordering your motor vehicle to ensure that colour, specifications, equipment, design features & options are available for the vehicle you are ordering. Please note that some options may only be available in combination with others. Authorised Hino dealers will on request provide up to date information on all accessories, design features, prices & availability.